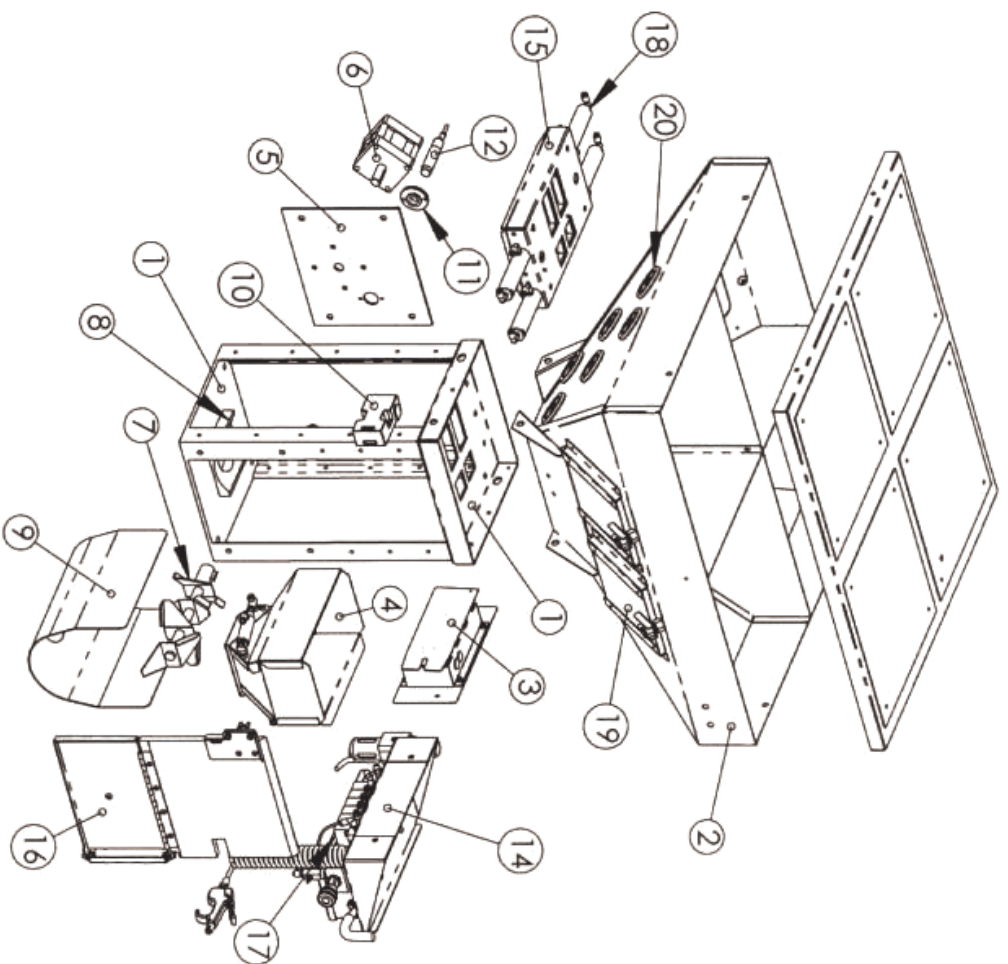
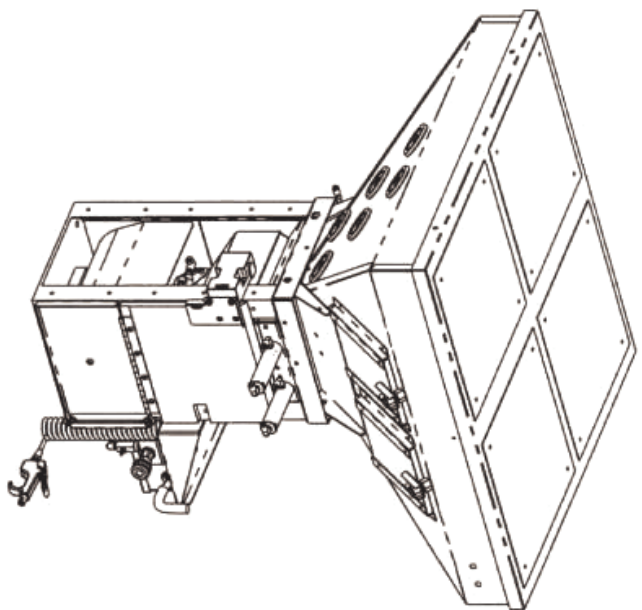


THE INFORMATION CONTAINED IN THIS DRAWING IS THE SOLE PROPERTY OF MAGUIRE PRODUCTS, INC. ANY REPRODUCTION IN PART OR WHOLE WITHOUT THE WRITTEN PERMISSION OF MAGUIRE PRODUCTS, INC. IS PROHIBITED.



ITEM NO.	QTY.	PART NO.	DESCRIPTION
1	1	501-1	Frame Assembly-140
2	1	as505-1	Hopper Assembly-140
3	1	qlc-1	Load Cell Assembly-140
4	1	as05-1	Weigh Bin Assembly-140
5	1	514-1A	Mix Motor Plate-140
6	1	nccr-S87	Mix Motor-S87
7	1	525-1w	Mix Blade Weldment-140
8	1	428	Mix Chamber Saddle-140
9	1	517-1	Mix Chamber-140
10	1	esle	Safety Interlock Switch
11	1	329	Mount-18mm Proximity Sensor
12	1	asps-02	Proximity Sensor
14	1	as06-7	Air Solenoid Set-7 valve
15	1	as539-1	Valve Assembly-140
16	1	as583-1	Front Door Assembly-140
17	1	nv24-7	Air Solenoid Set, 24V, 7 Valves
18	4	ncyl1.5	Air Cylinder, 1½ Stroke, 1.06 Bore
19	4	as505-1w	WSB Hopper Window Assy-small
20	8	psal3	MPI Sight Glass

**MAGUIRE**

WSB 140  
Exploded View

SIZE	DWG. NO.	SHEET 1 OF 1
A	EXPL-140	NAME Sheet1
CAD FILE: 140 Exploded View		SCALE 1/2