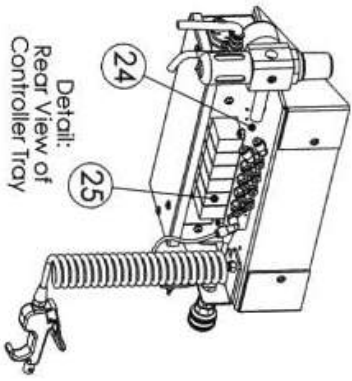
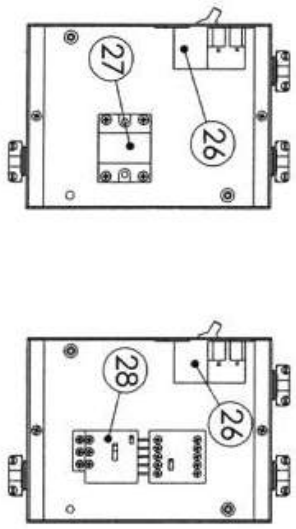
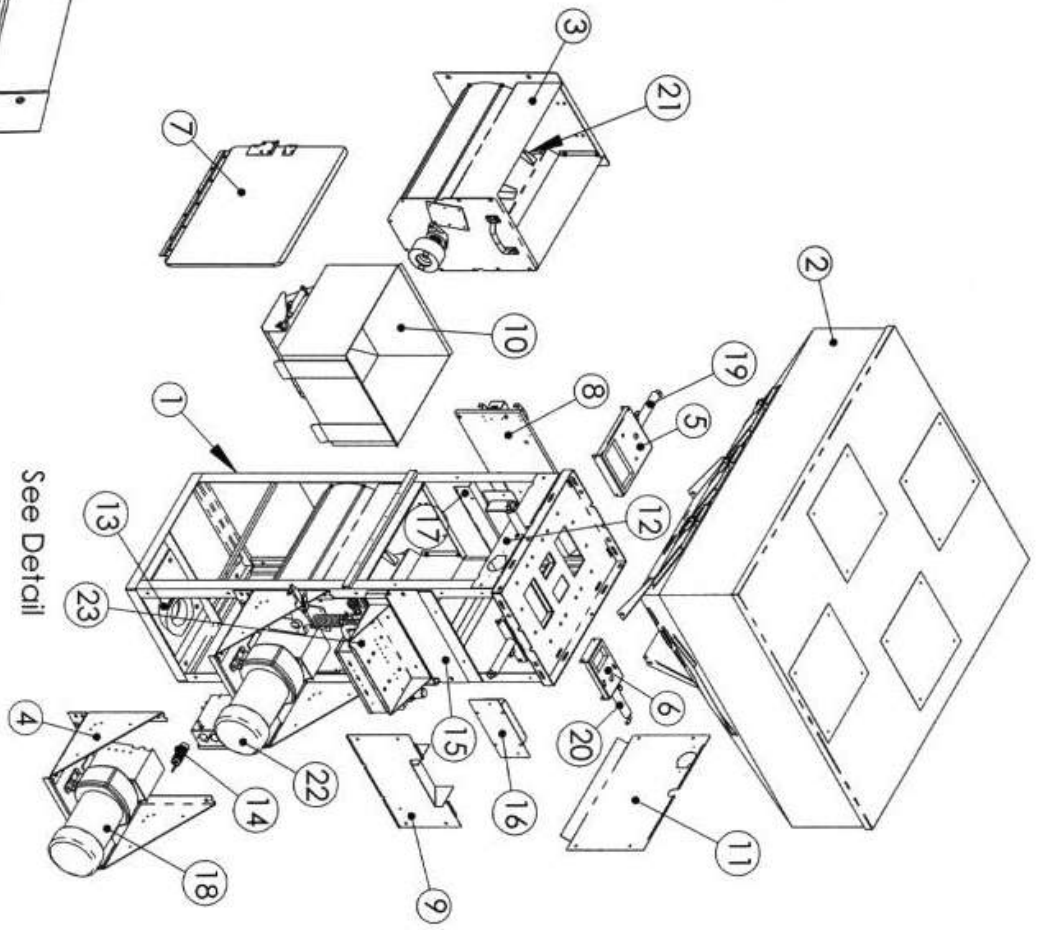


THE INFORMATION CONTAINED IN THIS DRAWING IS THE SOLE PROPERTY OF MAGUIRE PRODUCTS, INC. ANY REPRODUCTION IN PART OR WHOLE WITHOUT THE WRITTEN PERMISSION OF MAGUIRE PRODUCTS, INC. IS PROHIBITED.

ITEM NO.	QTY.	PART NO.	DESCRIPTION
1	1	5500-18	Frame-WSB 18
2	1	qs5561	Hopper Assy-WSB 18
3	1	qs5518 / 19	Mix Chamber Assy-WSB 18 Lower / Upper
4	1	qs508-18	Mixer Assy-WSB 18
5	2	qs3X6	Slide Valve Assy-3 X 6
6	2	qs2X3	Slide Valve Assy-2 X 3
7	1	qs5584	Front Window Assy-WSB 18
8	1	qs5581	Side Window Assy-WSB 18
9	2	5G184S	Enclosure-WSB 18 Side
10	1	qs05-18	Weigh Bin Assy-WSB 18
11	1	5G184B	Enclosure-WSB 18 Back
12	1	5G184F	Enclosure-WSB 18 Front
13	1	518-9	Mix Chamber Saddle-WSB 9/18
14	1	asps-01	Level Sensor Assy
15	1	595-9SB	Enclosure-WSB 9/18 Lower Side
16	2	d1c-9	Load Cell Assy-10 kg
17	1	qs5506-h	Weigh Bin Holder Assy-WSB 9/18
18	1	m6z403 [mC020P]	Mix Motor-9 1/2 hp [European 50 Hz]
19	2	ncy15	Air Cylinder-3" stroke, 1.06 bore
20	2	ncy2	Air Cylinder-2" stroke, 1.06 bore
21	1	525-9w	Mix Blade weldment
22	1	qs5565 / 66 / 68	Motor Starter Assy-9, 110V / 230V / 400V
23	1	qs06-6	Air Assembly-6 Valve
24	1	nv24-6	Air Solenoid Set-6 Valve
25	6	nv24-sol	24V Solenoid Valve segment
26	1	es1h392 / 393 / 403	Manual Motor Starter-110 / 230 / 400V
27	1	ehv7456 / 05	Solid State Relay-110 / 230
28	1	es4b862 & 68145	Motor Starter & Overload Relay-400V



qs5565 / 5566
WSB 9 Motor Starter Assy
110V / 230V

qs5568
WSB 9 Motor Starter Assy
400V

MAGUIRE

WSB 1840
Exploded View

UNLESS OTHERWISE SPECIFIED
DIMENSIONS ARE IN INCHES
TOLERANCES ARE:

FRACTIONS	DECIMALS	ANGLES
$\pm .002$.XX ± .02	± 1°
	.XXX ± .010	

MATERIAL: --
FINISH: --
DO NOT SCALE DRAWING

SHEET 1 OF 1
MAKE SHEET 1
SCALE 1:2