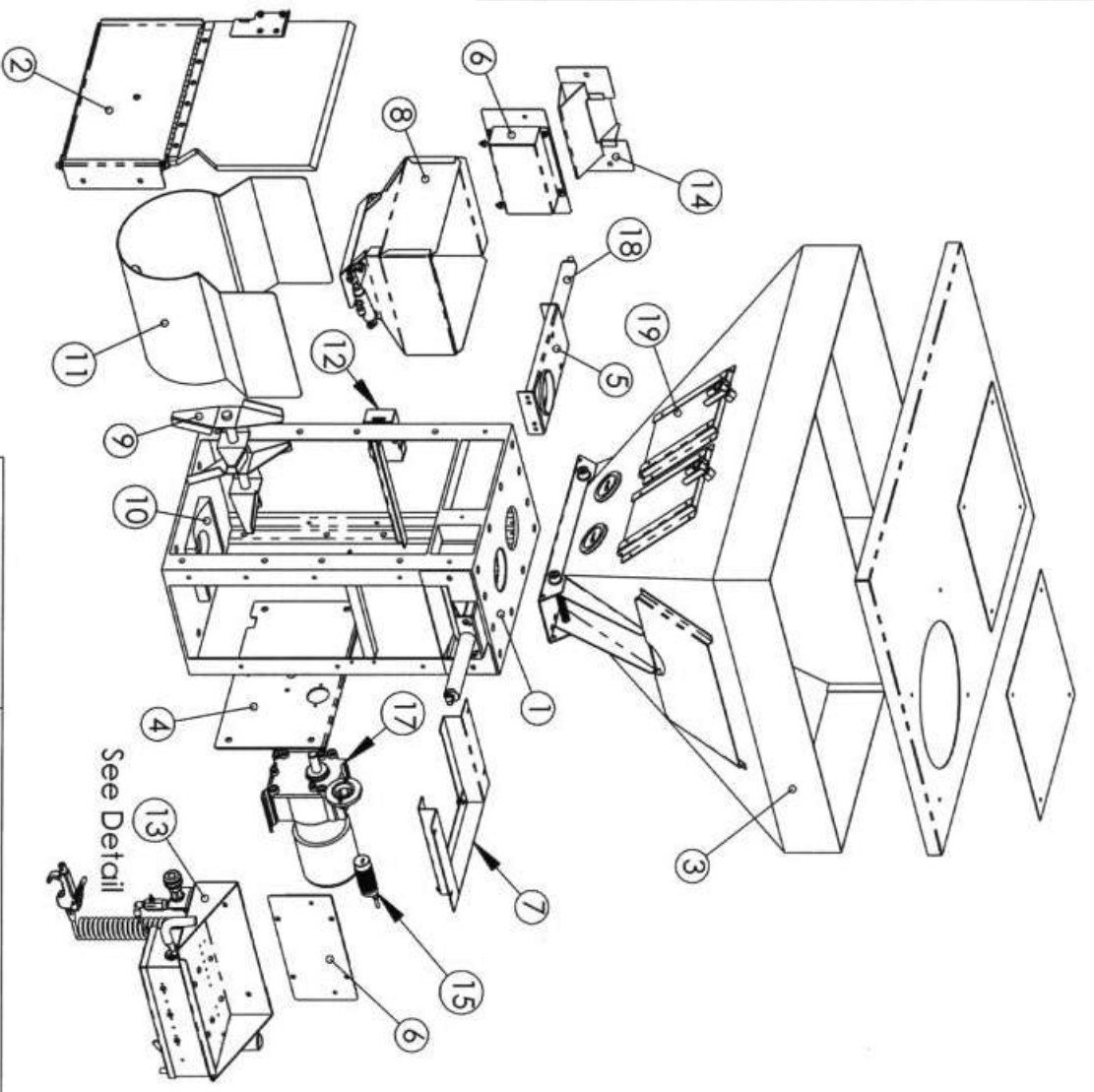
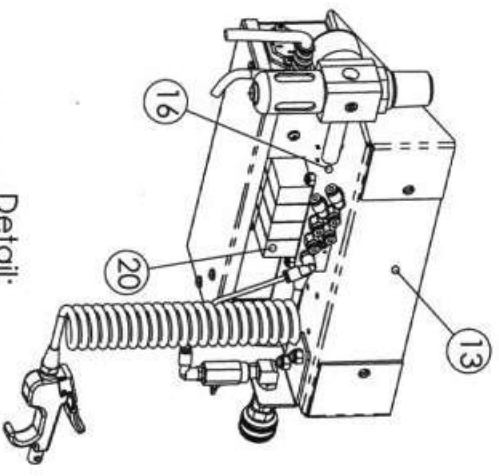


ITEM NO.	QTY.	PART NO.	DESCRIPTION
1	1	501	WSB 220 Frame
2	1	as583-2	Front Door Assy-200
3	1	as504	Hopper Assy-220/420
4	1	as08	Mix Motor Assy-200
5	2	as52	Valve Assy-3" round
6	1	dlc-2	Load Cell Assy-3 kg
7	1	as05-h	Weigh Bin Holder Assy-200/400
8	1	as05-2	Weigh Bin-200
9	1	525-2w	Mix Blade-200
10	1	518-2	Mix Chamber Saddle-200
11	1	517	Mix Chamber-200
12	1	esle	Safety Interlock
13	1	as06-4	Air Assy-4 valve
14	2	5g22s	Slide Enclosure-220/420
15	1	asps-01	Level Sensor-30mm
16	1	nv24-4	Air Solenoid Set-4 valve
17	1	m6z820	Motor-60 rpm 1/6 hp PSC
18	2	ncy15	Air Cylinder-3" stroke, 1.06 bore
19	2	as505-1w	WSB Hopper Window-small
20	4	nv24-sol	24V Solenoid Valve, 1 segment

Detail:  
Rear View of Controller Tray



# MAGUIRE

WSB 220  
Exploded View

UNLESS OTHERWISE SPECIFIED  
DIMENSIONS ARE IN INCHES  
TOLERANCES ARE:  
FRACTIONS DECIMALS ANGLES  
1/32 .XX ± .02 1°  
1/64 .XX ± .010

MATERIAL FINISH

REV	ECN	DATE	DO NOT SCALE DRAWING
-	-	-	-

SIZE	DWG. NO.	SHEET 1 OF 1
A	EXPL-220	NAME Sheet1
CAD FILE:	WSB-220 Exploded	SCALE 1:12

THE INFORMATION CONTAINED IN THIS DRAWING IS THE SOLE PROPERTY OF MAGUIRE PRODUCTS, INC. ANY REPRODUCTION IN PART OR WHOLE WITHOUT THE WRITTEN PERMISSION OF MAGUIRE PRODUCTS, INC. IS PROHIBITED.