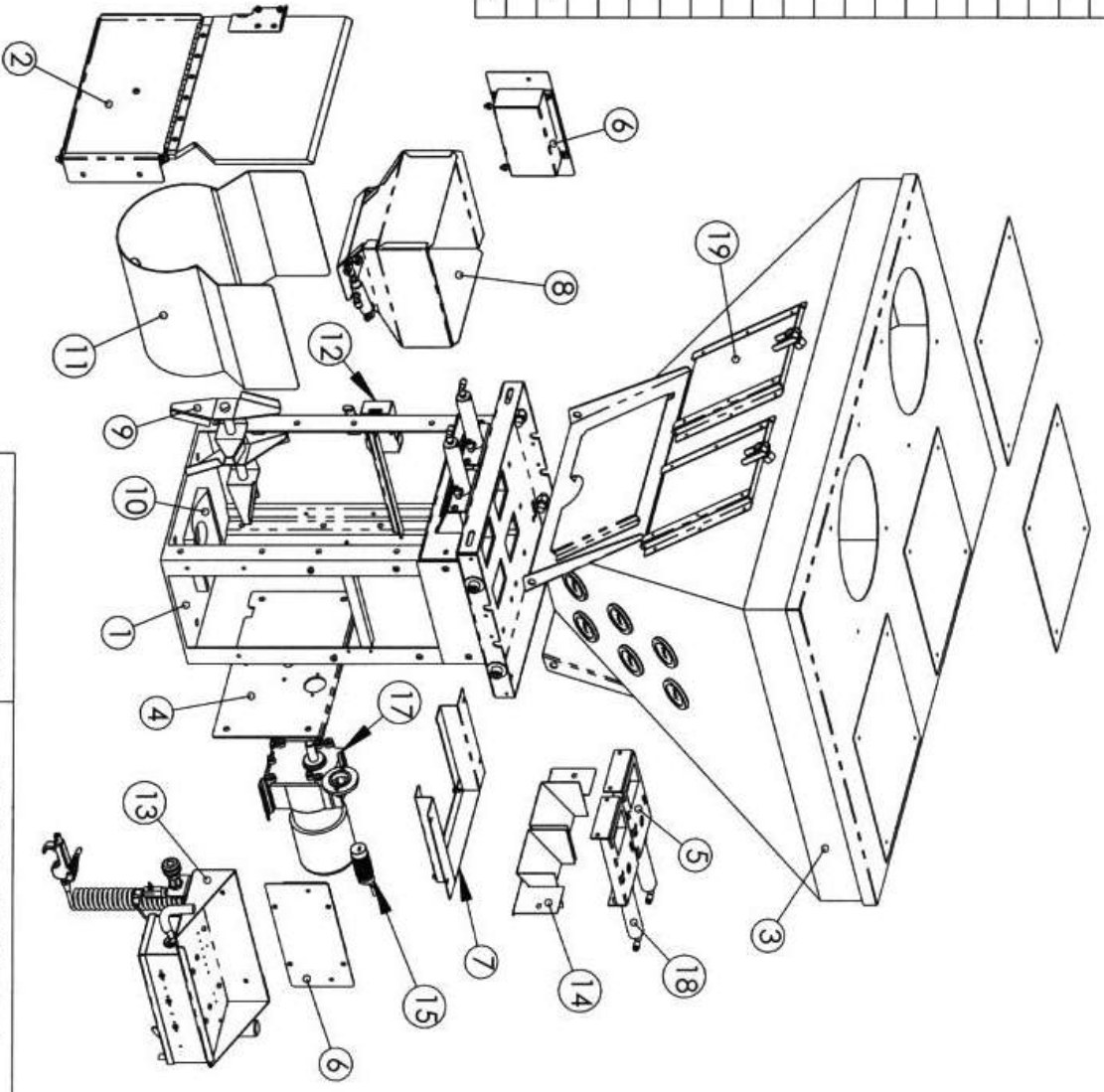


ITEM NO.	QTY.	PART NO.	DESCRIPTION
1	1	501-24	Frame-240
2	1	qs583-2	Front Door Assy-200
3	1	qs504-4	Hopper Assy-240/440
4	1	qs08	Mix Motor Assy-200
5	4	qs2X3	Valve Assy-2" X 3"
6	2	qlc-2	Load Cell Assy-3 kg
7	1	qs05-h	Weigh Bin Holder Assy-200/400
8	1	qs05-2	Weigh Bin-200
9	1	525-2w	Mix Blade-200
10	1	518-2	Mix Chamber Saddle-200
11	1	517	Mix Chamber-200
12	1	esle	Safety Interlock
13	1	as06-6	Air Assembly-6 Valve
14	2	5G24F	Front/Back Cover-240/440
15	1	asps-01	Level Sensor-30mm
16	1	nv24-6	Air Solenoid Set-6 valve
17	1	m6z820	Motor-60 rpm 1/6 hp PSC
18	4	ncy2	Air Cylinder-2" stroke, 1.06 bore
19	4	qs5560-W	WSB Hopper Window-large
20	6	nv24-sol	24V Solenoid Valve, 1 segment



Detail:
Rear View of Controller Tray

THE INFORMATION CONTAINED IN THIS DRAWING IS THE SOLE PROPERTY OF MAGUIRE PRODUCTS, INC. ANY REPRODUCTION IN PART OR WHOLE WITHOUT THE WRITTEN PERMISSION OF MAGUIRE PRODUCTS, INC. IS PROHIBITED.

MAGUIRE

WSB 240
Exploded View

REV	ECN	DATE	DO NOT SCALE DRAWING
-	-	-	-

SIZE	DWG. NO.	SHEET 1 OF 1
A	EXPL-240	NAME Sheet1
CAD FILE:	WSB-240 Exploded	SCALE 1:2

UNLESS OTHERWISE SPECIFIED
DIMENSIONS ARE IN INCHES
TOLERANCES ARE:
FRACTIONS DECIMALS ANGLES
±1/32 .XX ± .02 ±1°
MATERIAL FINISH