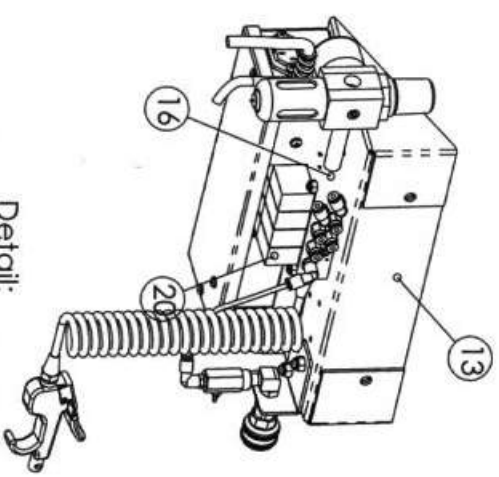
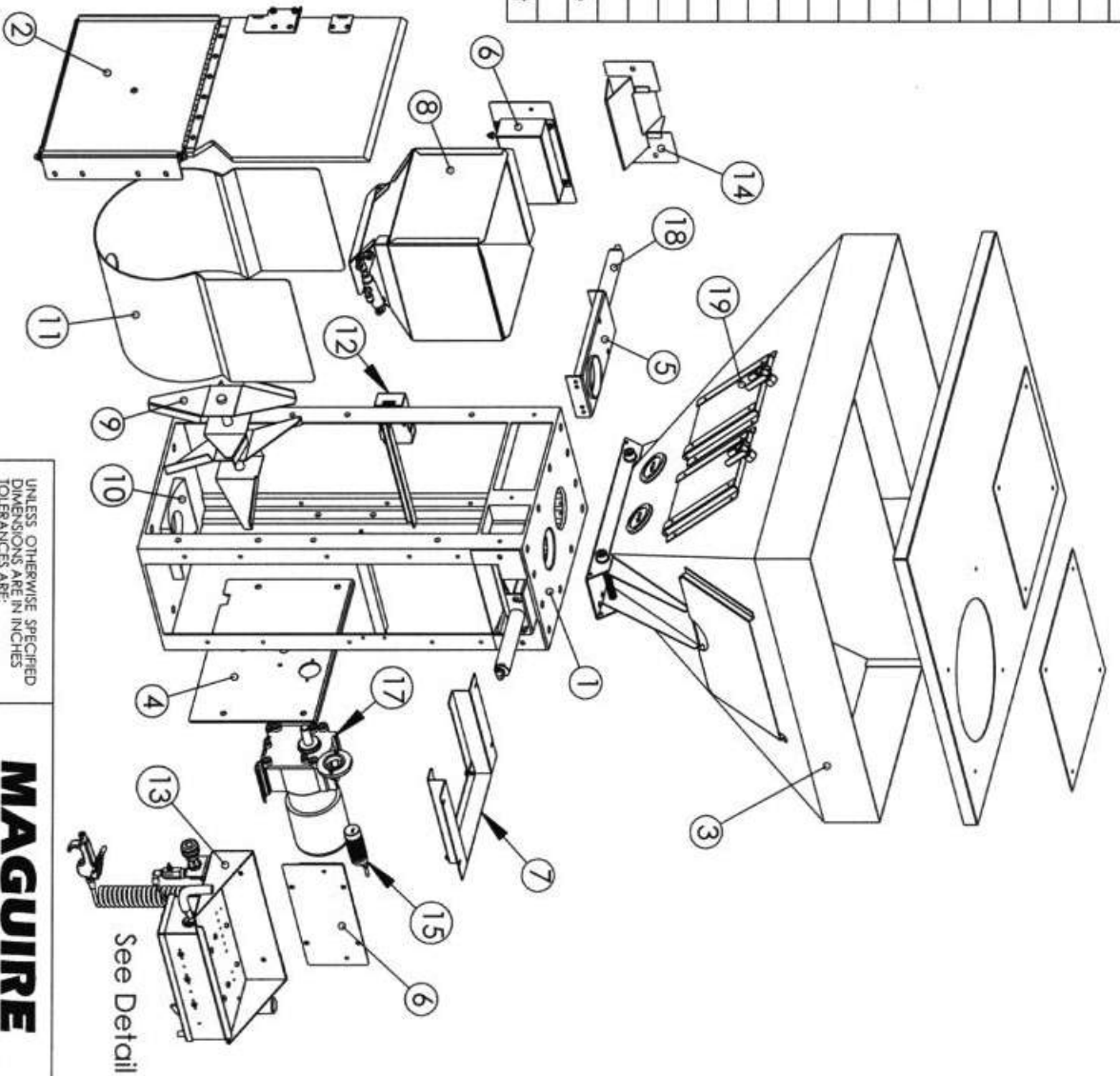


ITEM NO.	QTY.	PART NO.	DESCRIPTION
1	1	501-420	WSB 420 Frame
2	1	qs583-4	Front Door Assy-400
3	1	qs504	Hopper Assy-220/420
4	1	qs08-4	Mix Motor Assy-400
5	2	qs52	Valve Assy-3" round
6	2	dlc-4	Load Cell Assy-3 kg
7	1	qs05-h	Weigh Bin Holder Assy-200/400
8	1	qs05-4	Weigh Bin-400
9	1	525-4w	Mix Blade-400
10	1	518-4	Mix Chamber Saddle-400
11	1	517-4	Mix Chamber-400
12	1	esle	Safety Interlock
13	1	qs06-4	WSB Tray & Air Assy-4 valve
14	2	5g22s	Side Enclosure-220/420
15	1	qsps-01	Level Sensor-30mm
16	1	nv24-4	Air Solenoid Set-4 valve
17	1	m62818	Motor-30 rpm 1/6 hp PSC
18	2	ncyl5	Air Cylinder-3" stroke, 1.06 bore
19	2	qs505-1w	WSB Hopper Window-small
20	4	nv24-sol	24V Solenoid Valve, 1 segment



Detail:  
Rear View of Controller Tray



**MAGUIRE**  
WSB 420  
Exploded View

UNLESS OTHERWISE SPECIFIED  
DIMENSIONS ARE IN INCHES  
TOLERANCES ARE:  
FRACTIONS DECIMALS ANGLES  
±1/32 .XX ±.002 ±1°  
XXX ±.010

MATERIAL	—
FINISH	—

REV	ECN	DATE	DO NOT SCALE DRAWING
-	-	-	-

SHEET	DWG. NO.	SHEET 1 OF 1
A	EXPL-420	NAME Sheet 1
CAD FILE:	WSB-420 Exploded	SCALE 1:12

THE INFORMATION CONTAINED IN THIS DRAWING IS THE SOLE PROPERTY OF MAGUIRE PRODUCTS, INC. ANY REPRODUCTION IN PART OR WHOLE WITHOUT THE WRITTEN PERMISSION OF MAGUIRE PRODUCTS, INC. IS PROHIBITED.