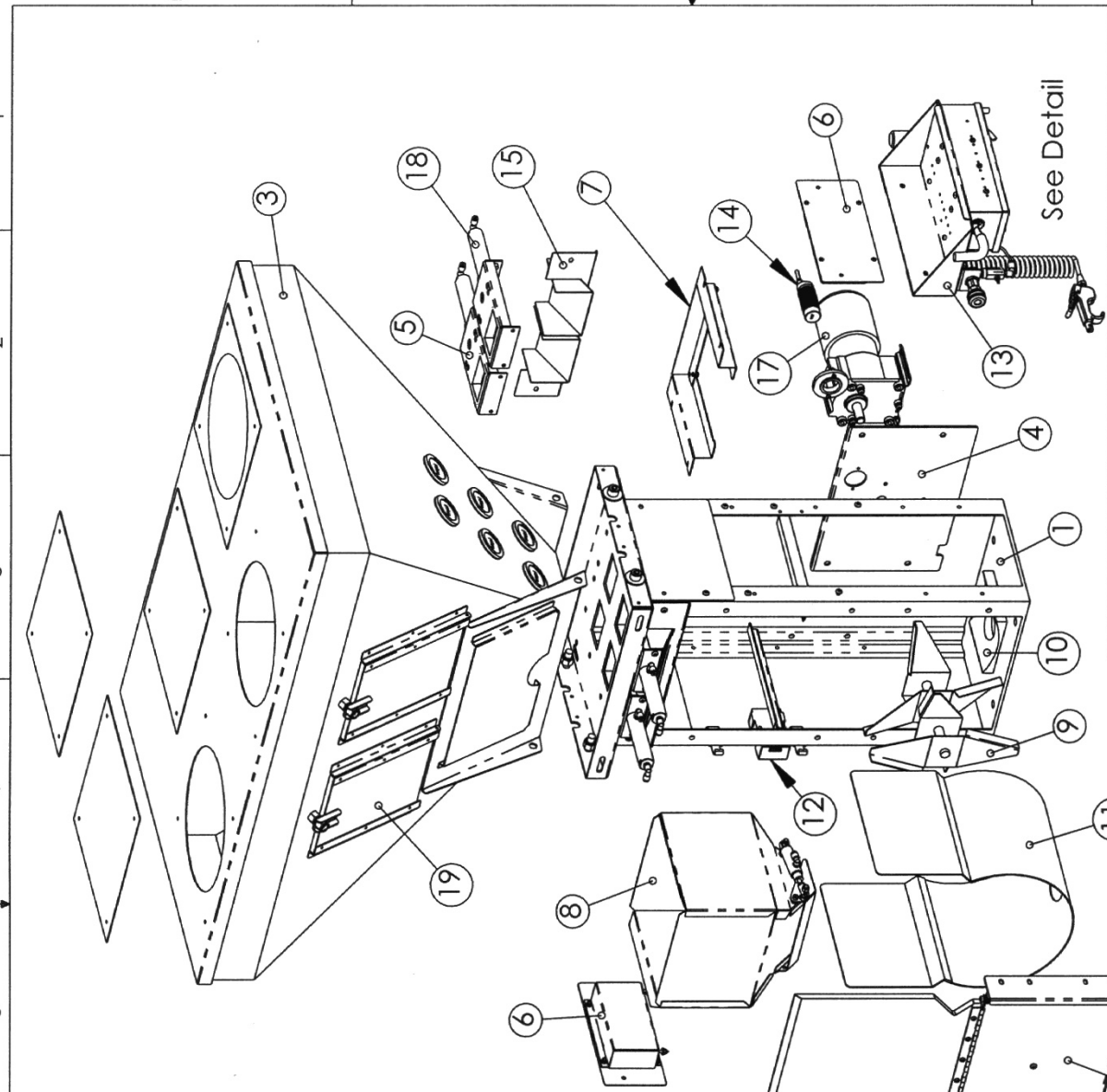


1 2 3 4 5 6 7 8

ITEM NO.	QTY.	PART NO.	DESCRIPTION
1	1	501-44	Frame-440
2	1	as583-4	Front Door Assy-400
3	1	as504-4	Hopper Assy-240/440
4	1	as08-4	Mix Motor Assy-400
5	4	as2X3	Valve Assy-2" X 3"
6	1	alc-4	Load Cell Assy-10 kg
7	1	as05-h	Weigh Bin Holder Assy-200/400
8	1	as05-4	Weigh Bin Assy-400
9	1	525-4w	Mix Blade-400
10	1	518-4	Mix Chamber Saddle-400
11	1	517-4	Mix Chamber-400
12	1	esle	Safety Interlock
13	1	as06-6	Air Assembly-6 Valve
14	1	asps-01	Level Sensor-30mm
15	2	5G24F	Front/Back Cover-240/440
16	1	nv24-6	Air Solenoid Set-6 Valve
17	1	m6z818	Motor-30 rpm 1/6 hp PSC
18	4	ncy2	Air Cylinder-2" stroke, 1.06 bore
19	4	as5560-W	WSB Hopper Window-large
20	6	nv24-sol	24V Solenoid Valve, 1 segment



UNLESS OTHERWISE SPECIFIED DIMENSIONS ARE IN INCHES TOLERANCES ARE:

FRACTIONS	DECIMALS	ANGLES
±1/32	.XX ± .02	±1°
	.XXX ± .010	

MATERIAL	FINISH	DO NOT SCALE DRAWING	REV	ECN	DATE

**MAGUIRE**

WSB 440  
Exploded View

THE INFORMATION CONTAINED IN THIS DRAWING IS THE SOLE PROPERTY OF MAGUIRE PRODUCTS, INC. ANY REPRODUCTION IN PART OR WHOLE WITHOUT THE WRITTEN PERMISSION OF MAGUIRE PRODUCTS, INC. IS PROHIBITED.

SIZE	DWG. NO.	SHEET	OF
A	EXPL-440	1	1

CAD FILE: WSB-440 Exploded  
SCALE 1:2

Detail:  
Rear View of Controller Tray

