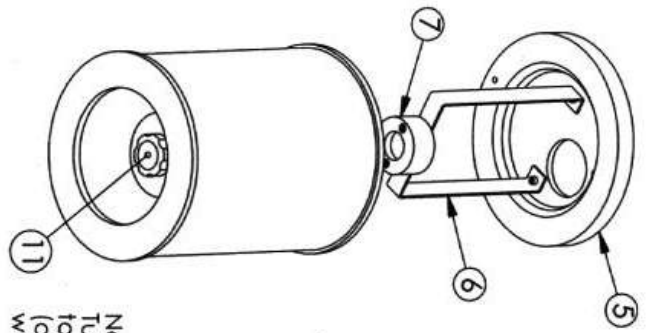
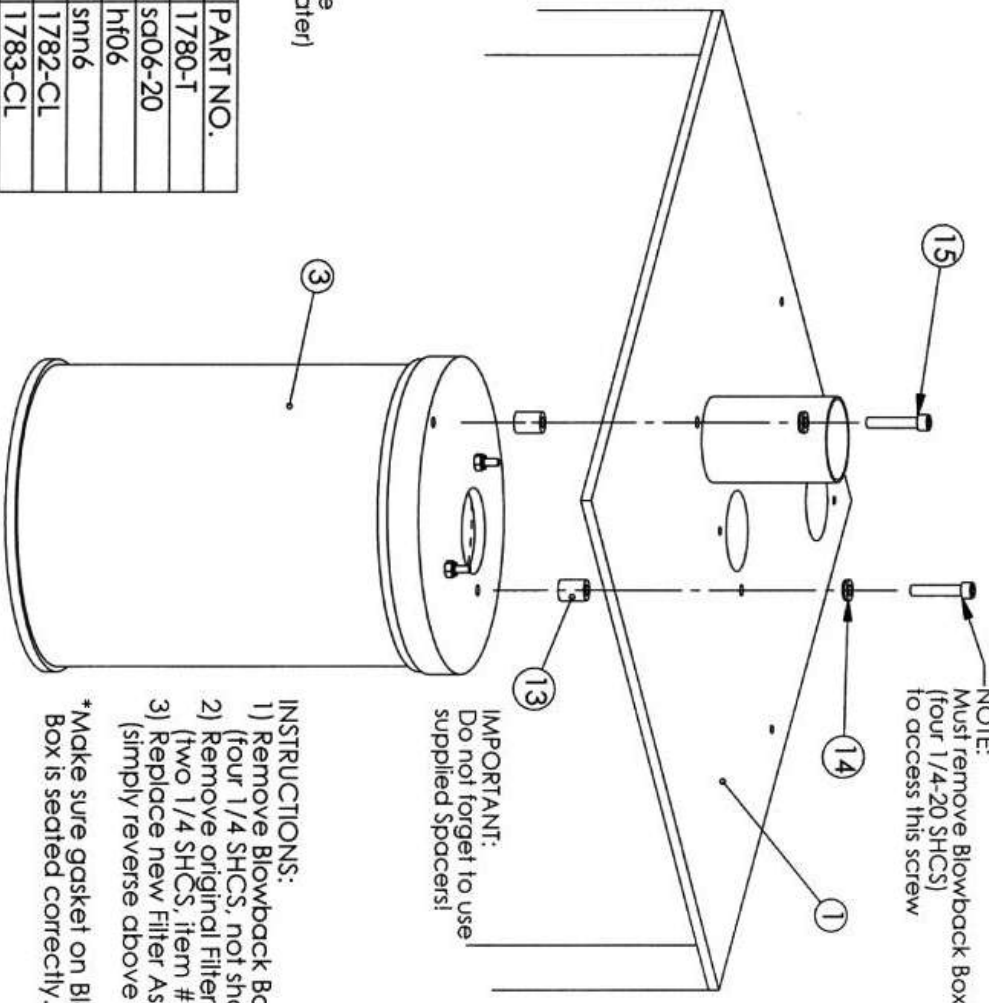


THE INFORMATION CONTAINED IN THIS DRAWING IS THE SOLE PROPERTY OF MAQUIRE PRODUCTS, INC. ANY REPRODUCTION IN PART OR WHOLE WITHOUT THE WRITTEN PERMISSION OF MAQUIRE PRODUCTS, INC. IS PROHIBITED.



Note:
Turn this knob
to remove filter
(outside may be
washed with water)



NOTE:
Must remove Blowback Box
(four 1/4-20 SHCS)
to access this screw

IMPORTANT:
Do not forget to use
supplied Spacers!

- INSTRUCTIONS:
- 1) Remove Blowback Box (four 1/4 SHCS, not shown)
 - 2) Remove original Filter Assy (two 1/4 SHCS, item # 15)
 - 3) Replace new Filter Assy (simply reverse above steps)

*Make sure gasket on Blowback Box is seated correctly.

ITEM NO.	QTY.	DESCRIPTION	PART NO.
1	1	Frame-Top Plate	1780-T
2	1	3/8 SHCS	sq06-20
3	1	Cartridge Filter	ht06
4	1	3/8 Thin Nylok	snn6
5	1	Filter_Saddle	1782-CL
6	1	Filter_Bracket	1783-CL
7	1	Filter_mtg_lug	1783-CM
8	2	#8-32 SHCS x 1-1/4	sq#8-20
9	2	#8-32 SHCS x 5/8	sb#8-10
10	4	nylok #8	snn#8
11	1	SHCS knob	stsk06
12	1	3/8 Washer	sw06
13	2	Spacer	hsp10
14	2	Sealing washer	sw4G
15	2	1/4 SHCS x 1-1/4	sq04-20

UNLESS OTHERWISE SPECIFIED
DIMENSIONS ARE IN INCHES
TOLERANCES ARE:
FRACTIONS DECIMALS ANGLES
±1/32 .XXX ±.02 ±.1
XXX ±.010

Maguire Products, Inc.
AVB Filter
Cartridge Filter Retrofit

REV	ECN	DATE	DO NOT SCALE DRAWING
-	-	-	-
-	-	-	-

SEE DWG. NO. conv-009
SCALE 1:2 CAD FILE SHEET - OF -