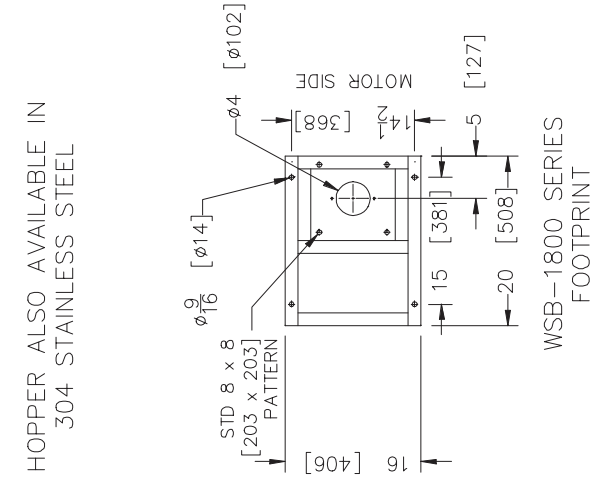
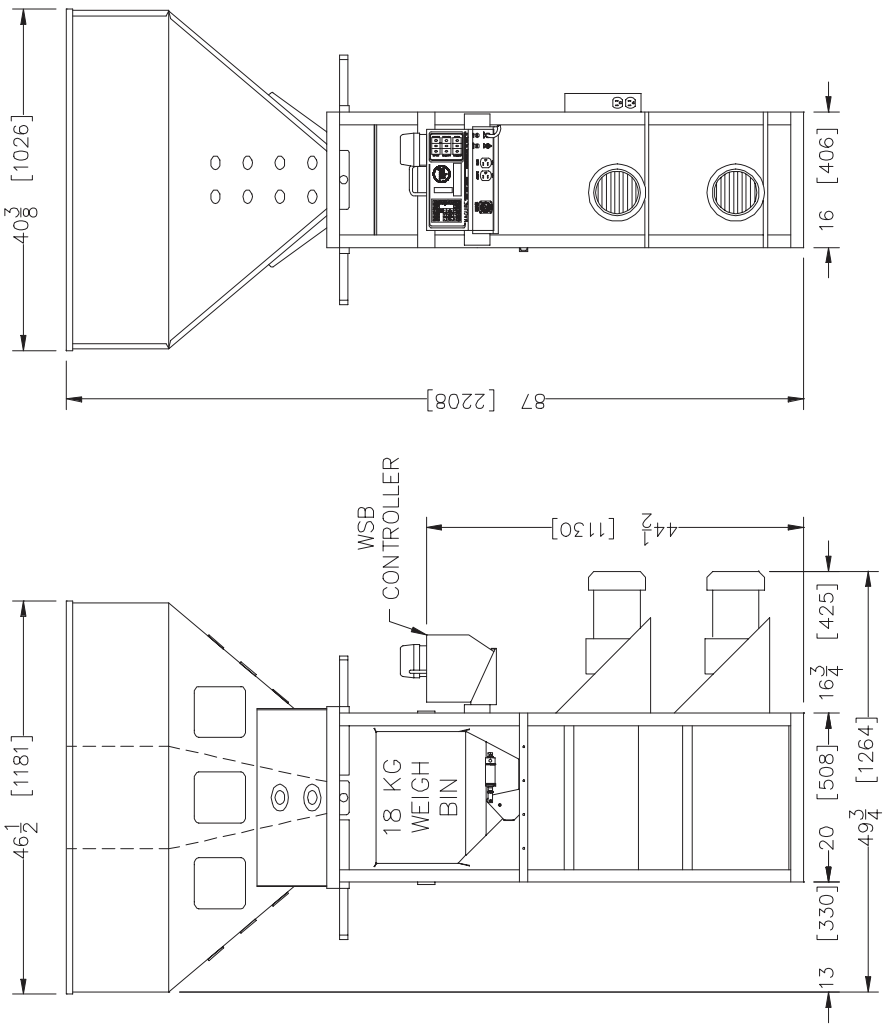
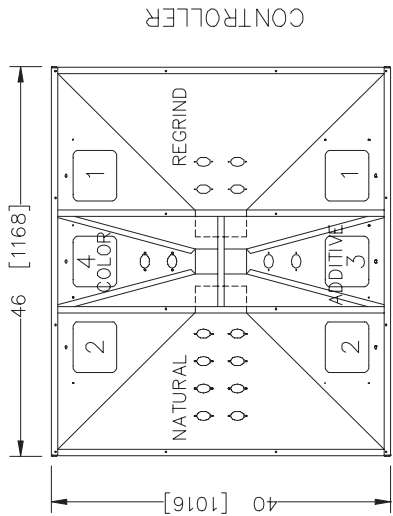
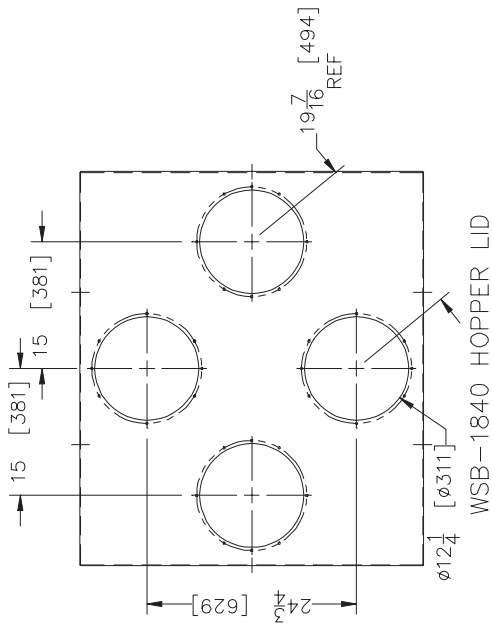


NOTE:  
 COMPARTMENTS 1 & 2 ARE APPROX. 6.6CU FT [185 LITRE]  
 COMPARTMENTS 3 & 4 ARE APPROX. 2.5 CU FT [70 LITRE]



HOPPER ALSO AVAILABLE IN  
 304 STAINLESS STEEL



**MAGUIRE**  
 PRODUCTS, INC.  
 11 Crozerville Road, Aston, PA 19014  
 Tel: (888) 459-2412  
 Fax: (610) 459-2700  
<http://www.maguire.com>

WSB-1840  
 PICTORIAL

DRAWN BY:	CGC	DATE DRAWN:	9/15/94
SHEET:	1 OF 1	DATE CHANGED:	3/14/01