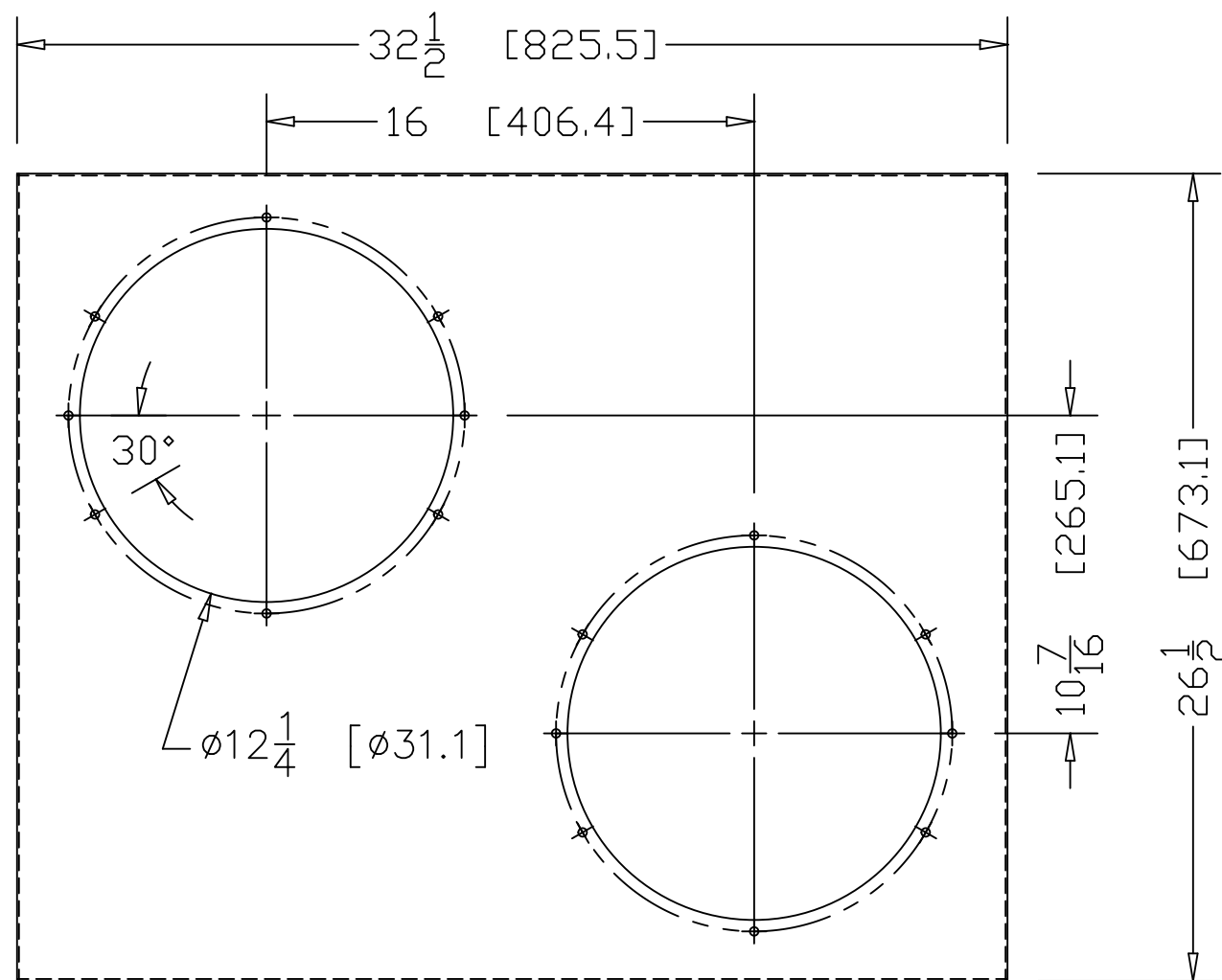
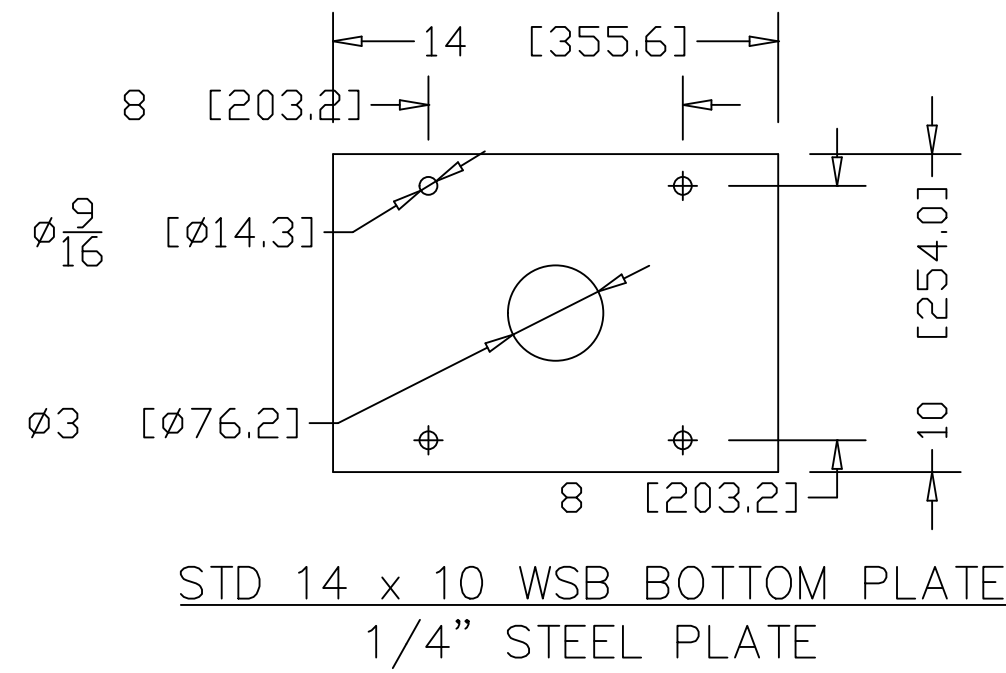


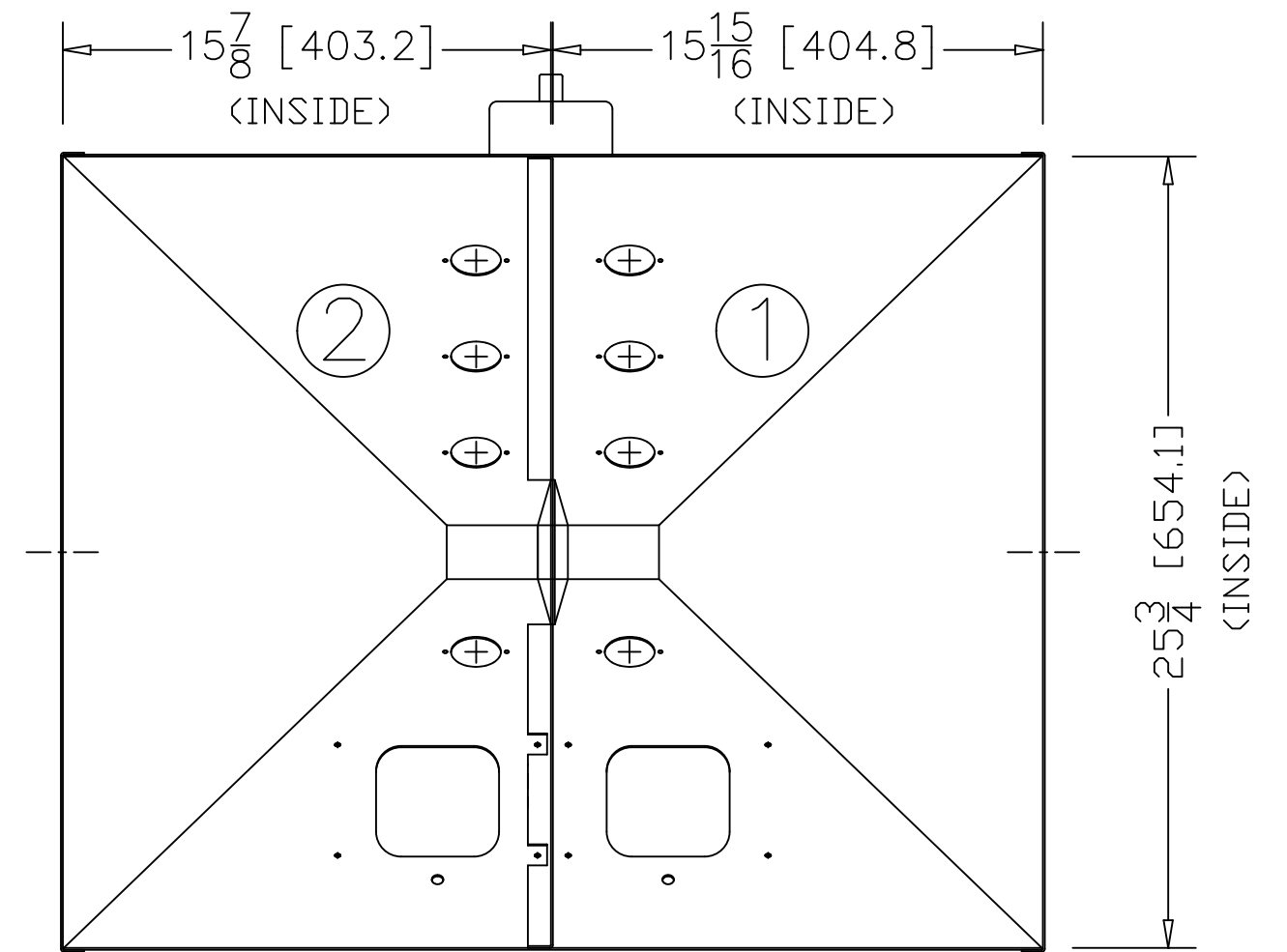
WSB 220 LID TOP VIEW



WSB-200 & WSB-400 Series
"FOOTPRINT"

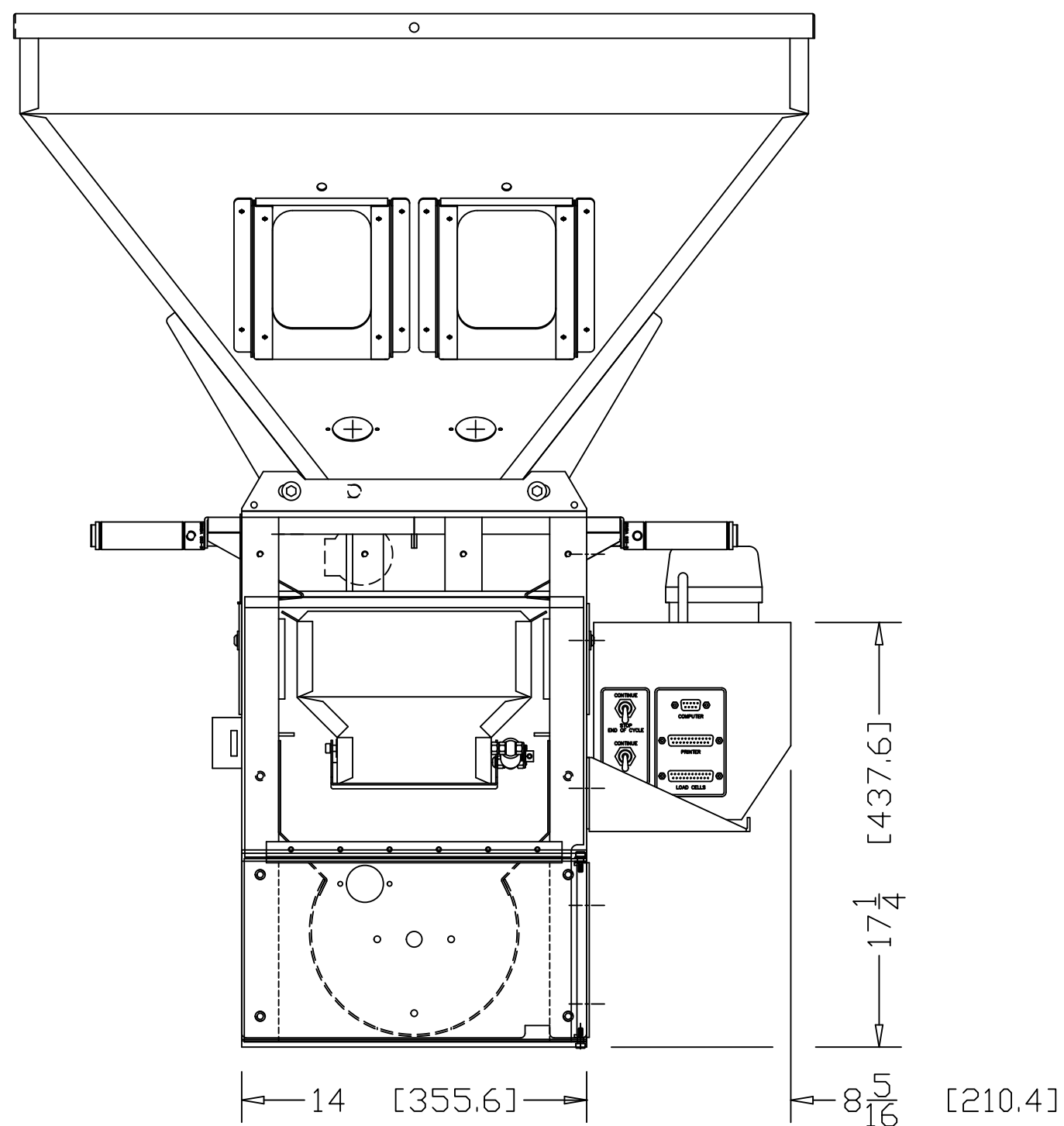


WSB 220 HOPPER TOP VIEW

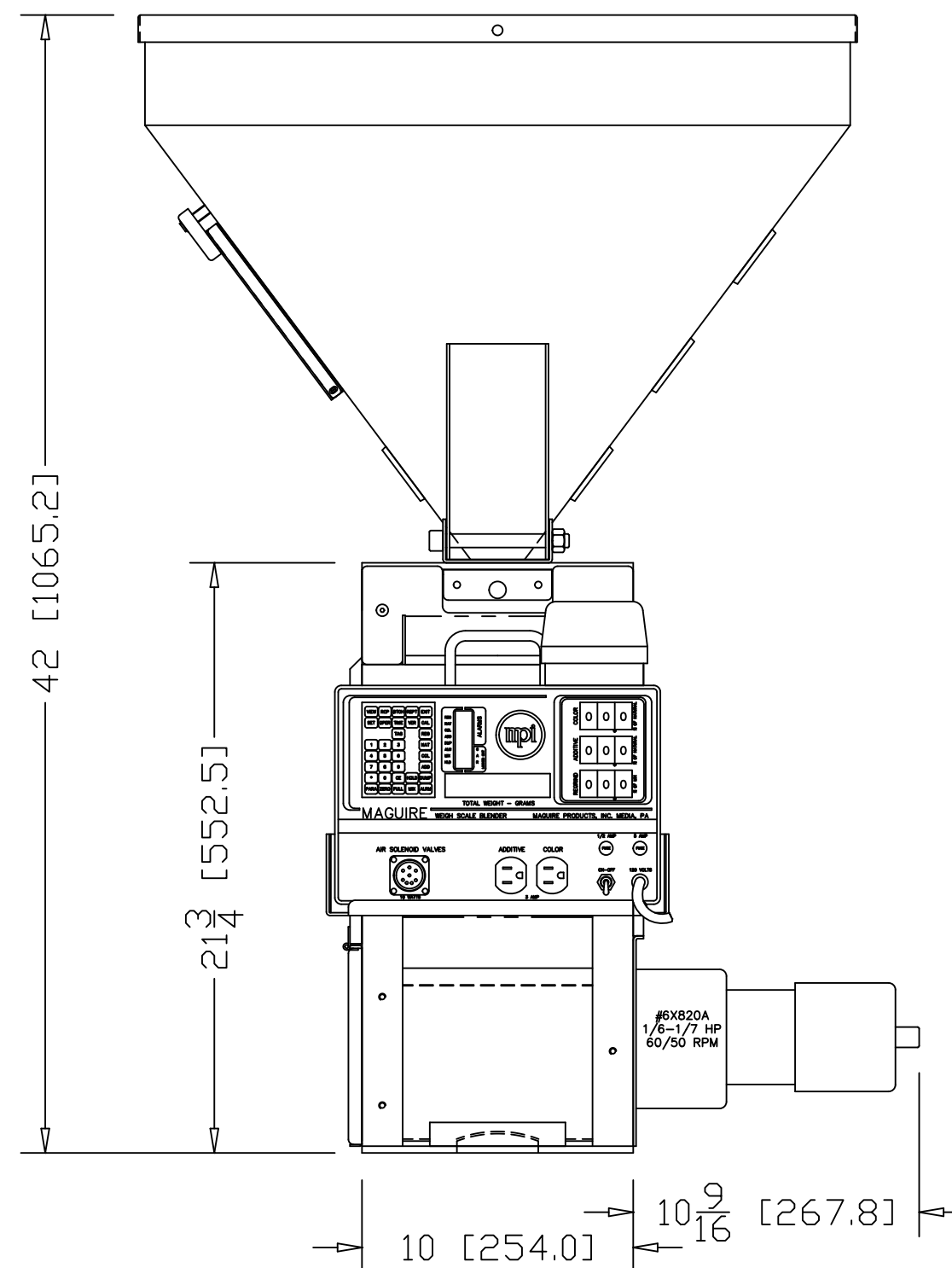


Hopper Capacity approx 2.4 CF [68 Liter]
Maximum per compartment


WSB 220 FRONT VIEW



WSB 220 SIDE VIEW



ALL DIMENSIONS ARE
IN INCHES [MILLIMETERS]

 MAGUIRE PRODUCTS, INC. 11 Crozerville Road, Aston, PA 19014 Tel: (888) 459-2412 Fax: (610) 459-2700 http://www.maguire.com	WSB 220 PICTORIAL	
	DRAWN BY: JSH	DATE DRAWN: 10/14/93
MATL:	DATE CHANGED: 6/2/14	