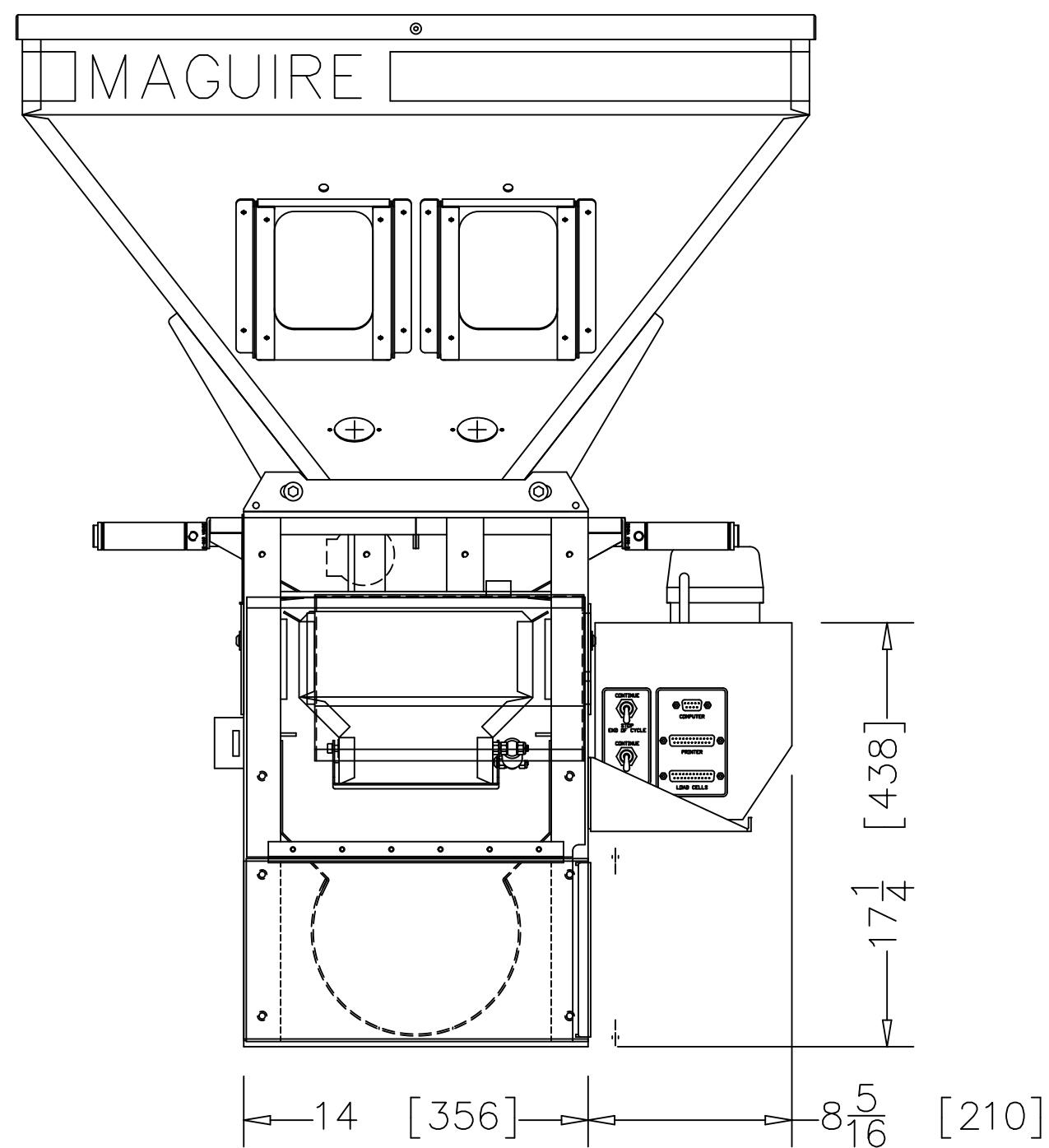
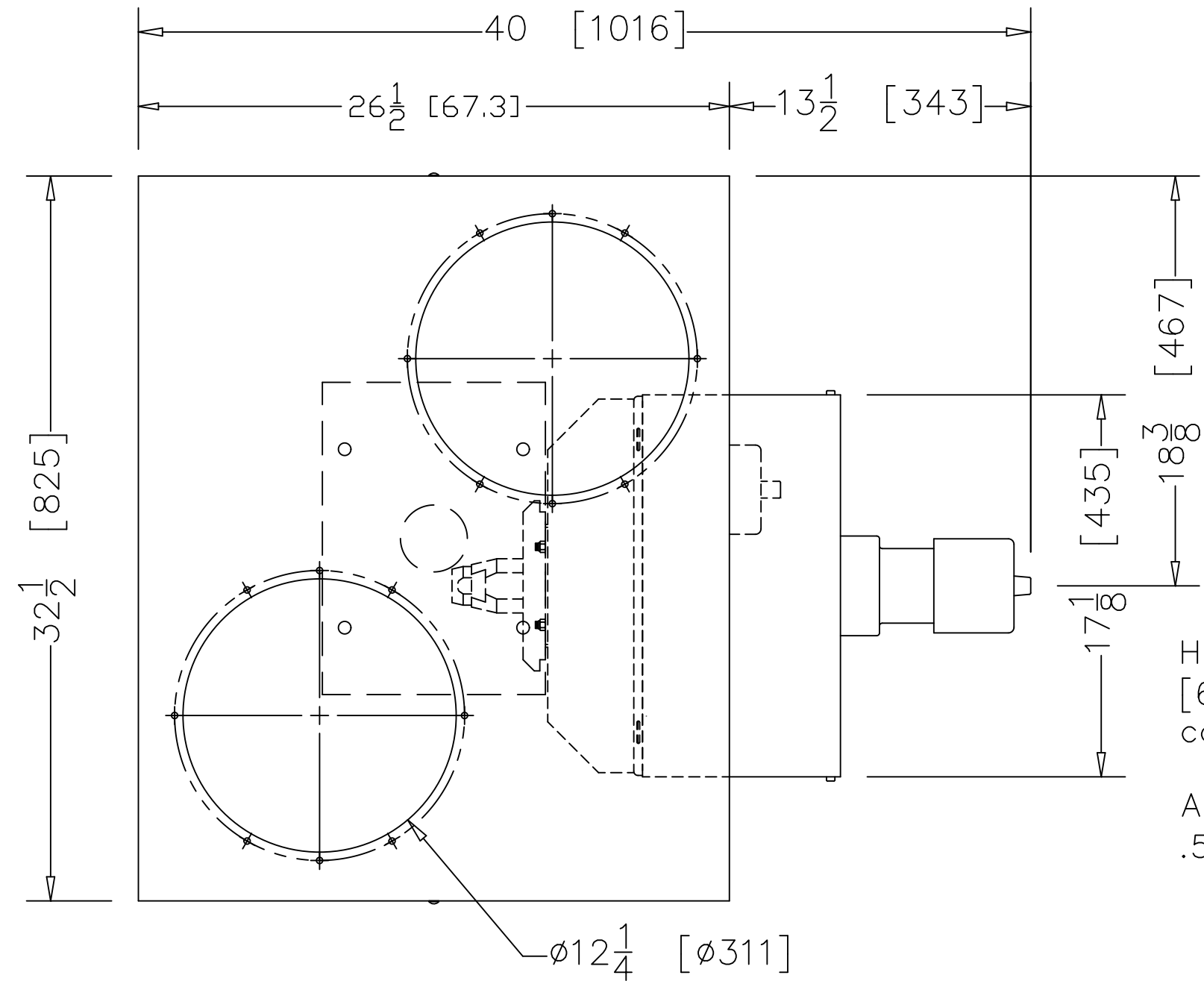


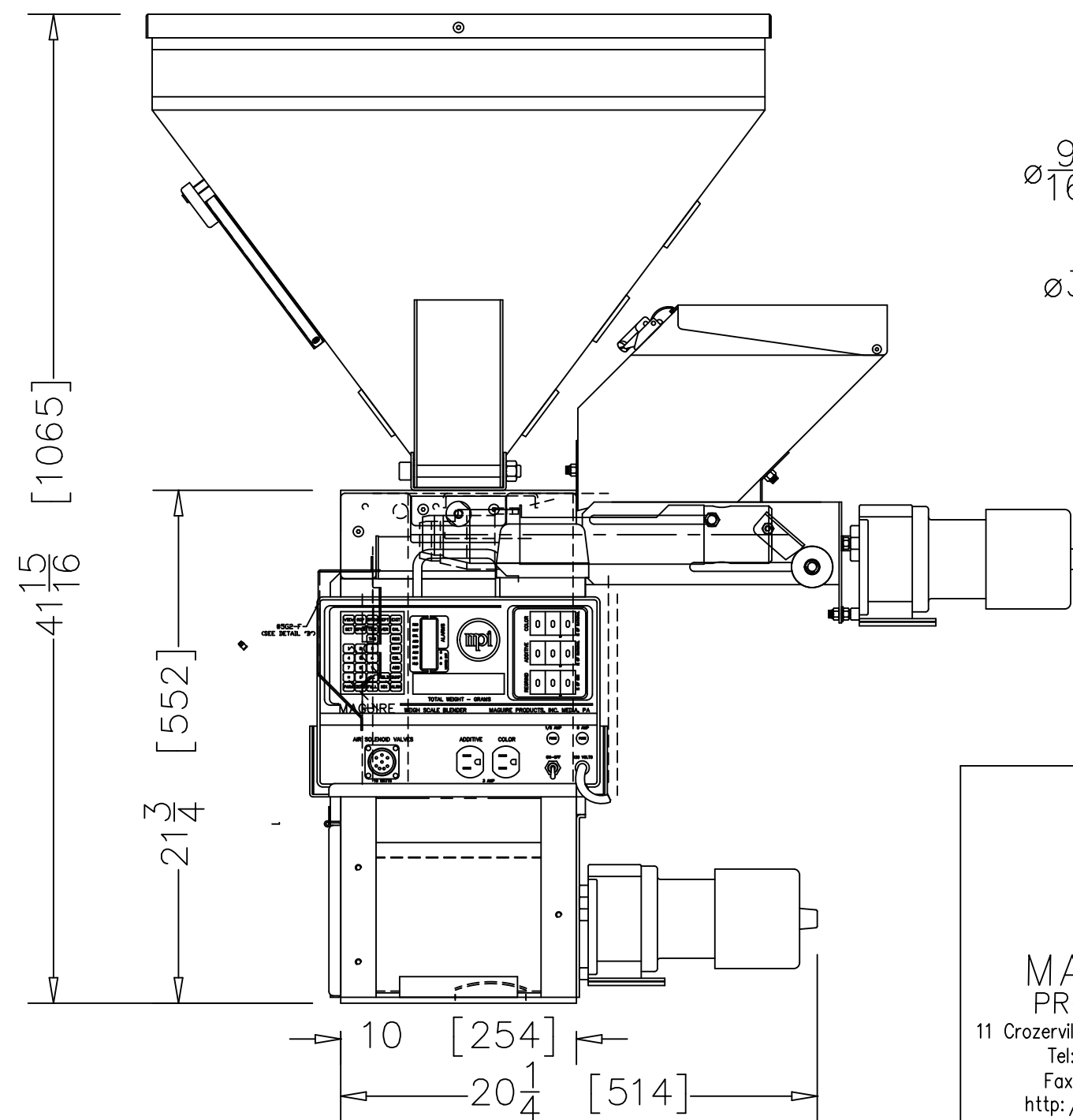
WSB 221 FRONT VIEW



WSB 221 LID TOP VIEW



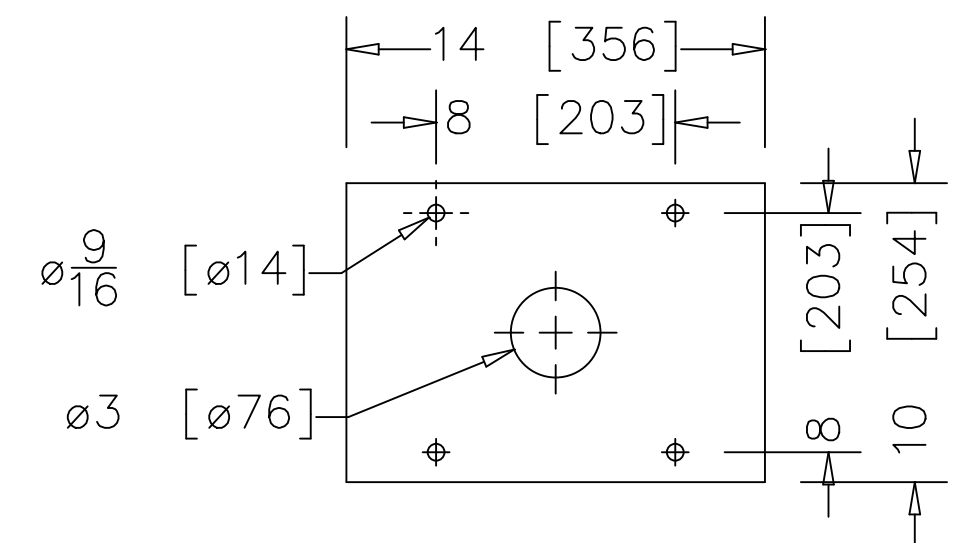
WSB 221 SIDE VIEW



Hopper Capacity approx 2.4 CF [68 Liter] Maximum per compartment

Additive Hopper Capacity approx .5 CF [14 Liter]

WSB 221 "FOOTPRINT"



STD 14 x 10 WSB BOTTOM PLATE
1/4" STEEL PLATE

ALL DIMENSIONS ARE IN INCHES [MILLIMETERS]



MAGUIRE PRODUCTS, INC.
11 Crozerville Road, Aston, PA 19014
Tel: (888) 459-2412
Fax: (610) 459-2700
<http://www.maguire.com>

WSB 221 PICTORIAL

DRAWN BY: JSH	DATE DRAWN: 10/14/93
FILE: 221-pic	DATE CHANGED: 6/2/14