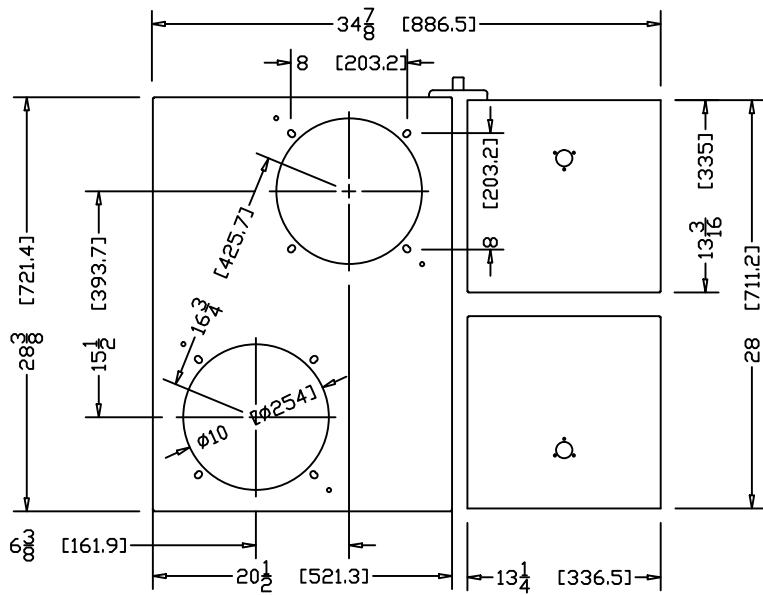
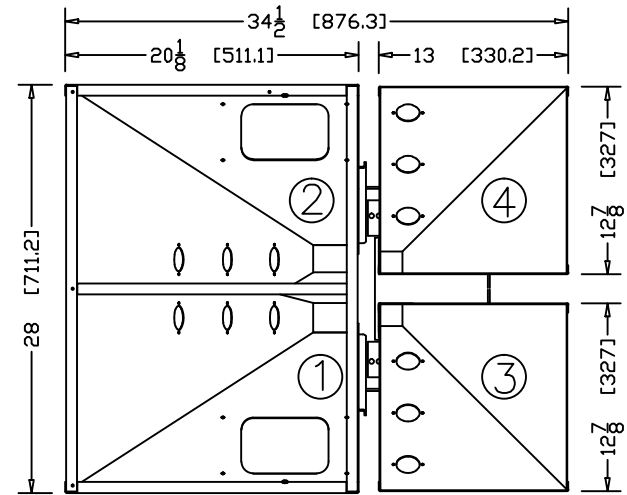


WSB-240R LID TOP VIEW

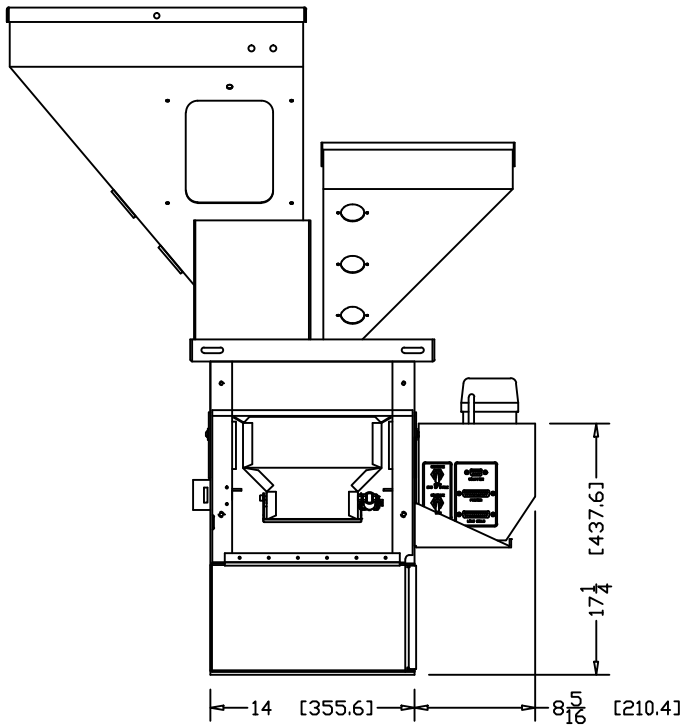


WSB-240R HOPPER TOP VIEW

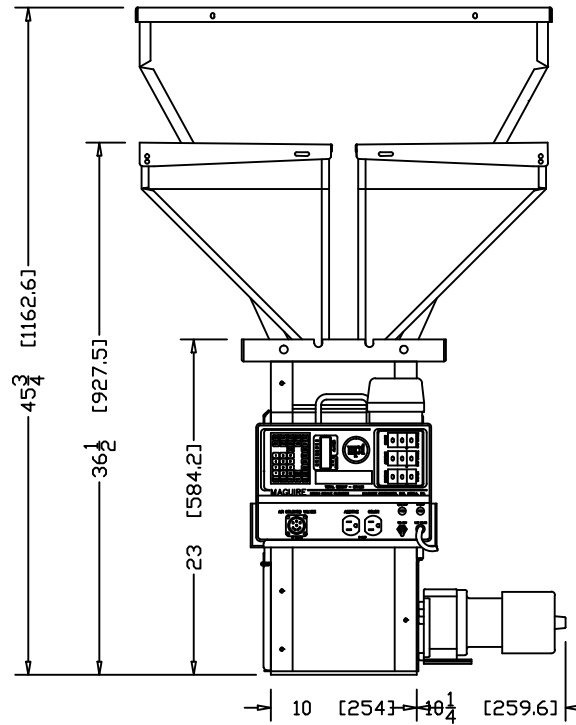


Compartments 1 & 2 are approx. 1.2 cu ft [34 Litres]
 Compartments 3 & 4 are approx. .5 cu ft [14 Litres]

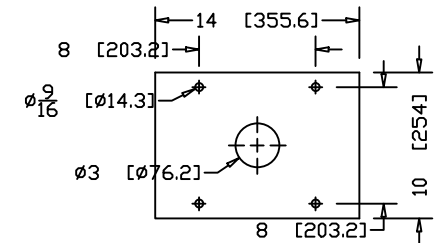
WSB 240R FRONT VIEW



WSB 240R SIDE VIEW




WSB 240R "FOOTPRINT"



STD WSB BOTTOM PLATE
 1/4" [6.4] STEEL PLATE

ALL DIMENSIONS ARE IN INCHES [MILLIMETERS]

 MAGUIRE PRODUCTS, INC. 11 Crozerville Road, Aston, PA 19014 Tel: (888) 459-2412 Fax: (610) 459-2700 http://www.maguire.com	WSB 240R PICTORIAL	
	DRAWN BY: CGC	DATE: 1/7/13
	SHEET 1 OF 1	