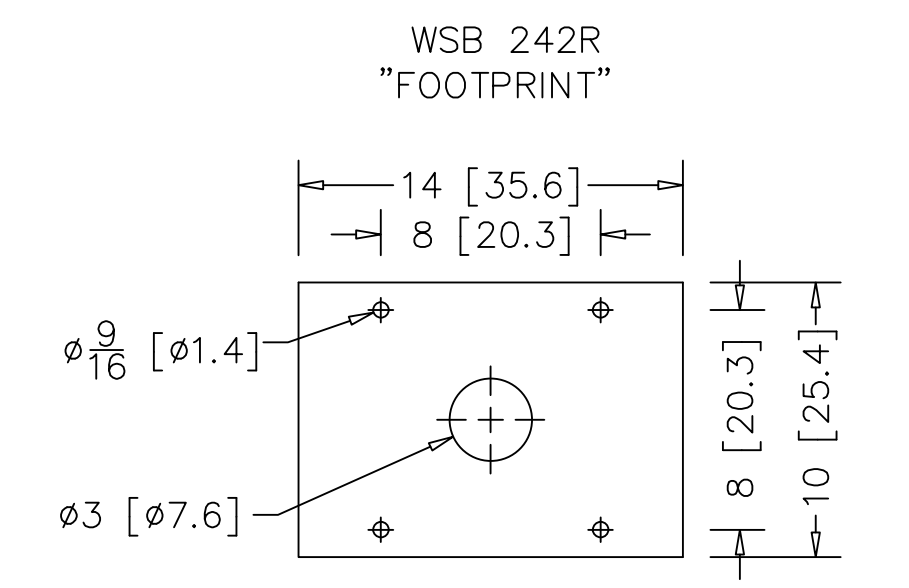
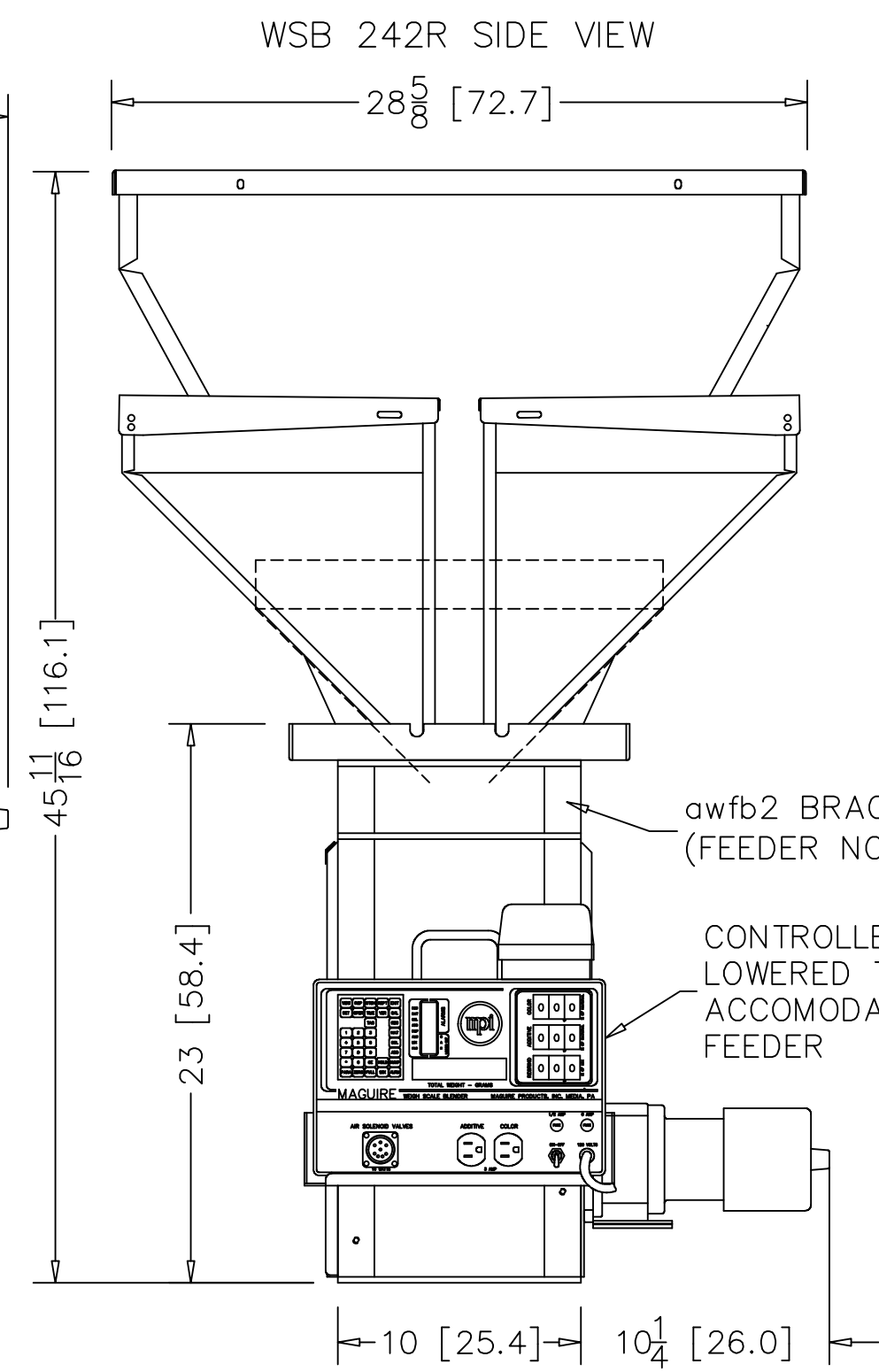
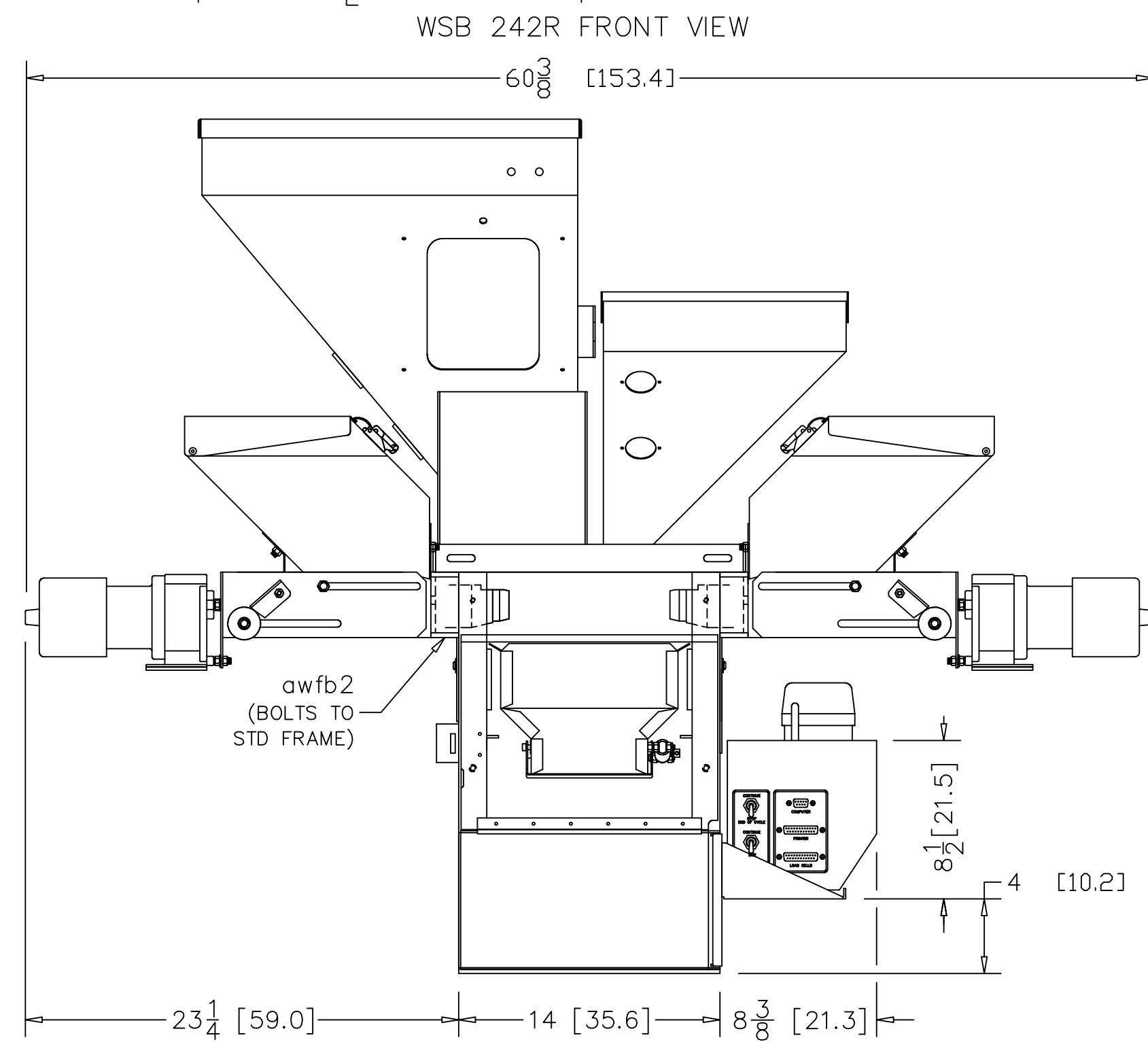


Compartments 1 & 2 are approx. 1.2 cu ft [33.6 Litres]
 Compartments 3 & 4 are approx. .9 cu ft [25.5 Litres]



STD 14 x 10 WSB BOTTOM PLATE
 1/4" STEEL PLATE

ALL DIMENSIONS ARE IN INCHES [CENTIMETERS]

 MAGUIRE PRODUCTS, INC. 11 Crozerville Road, Aston, PA 19014 Tel: (888) 459-2412 Fax: (610) 459-2700 http://www.maguire.com	WSB 242R PICTORIAL	
	DRAWN BY: CGC	DATE: 7/5/16
	SHEET 1 OF 1	