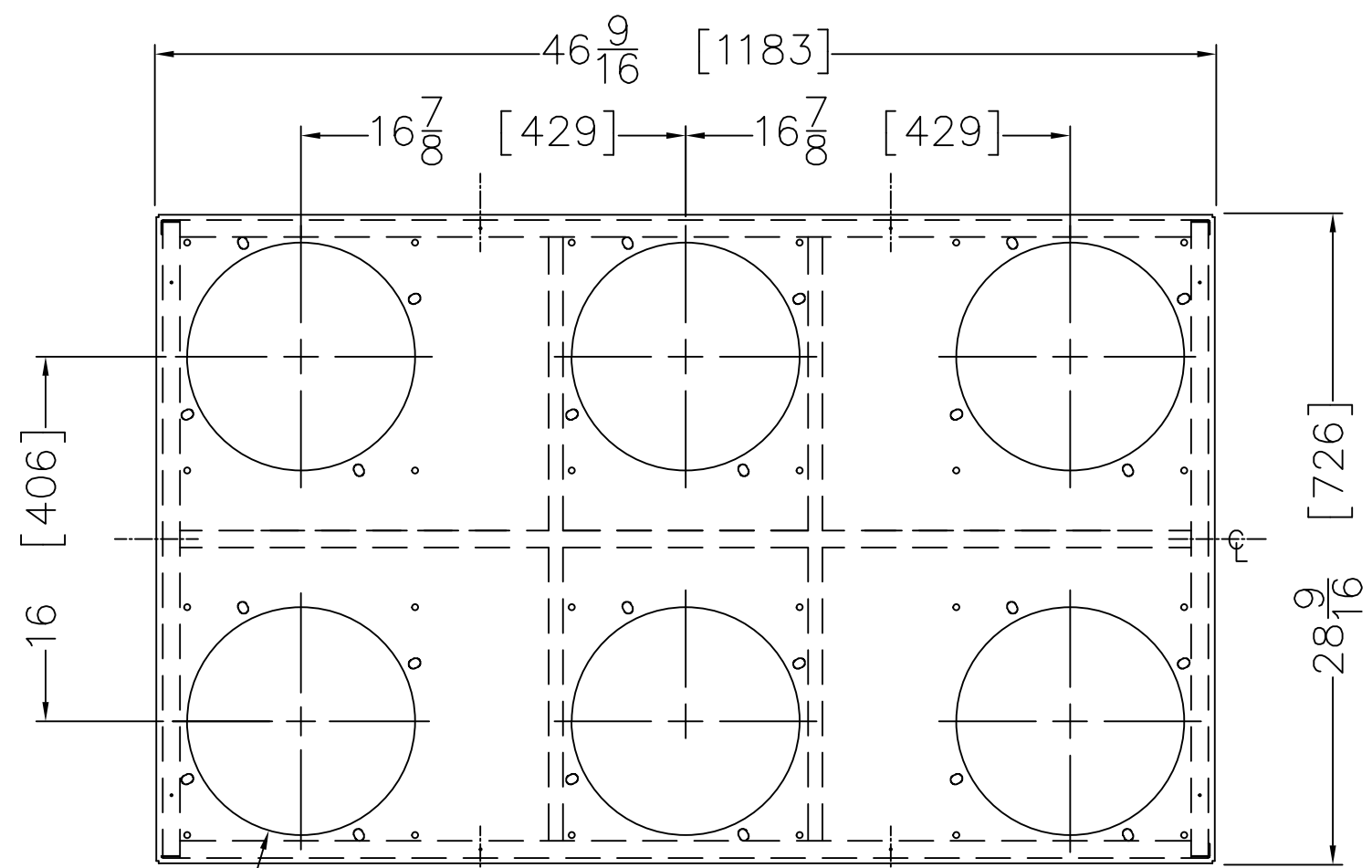
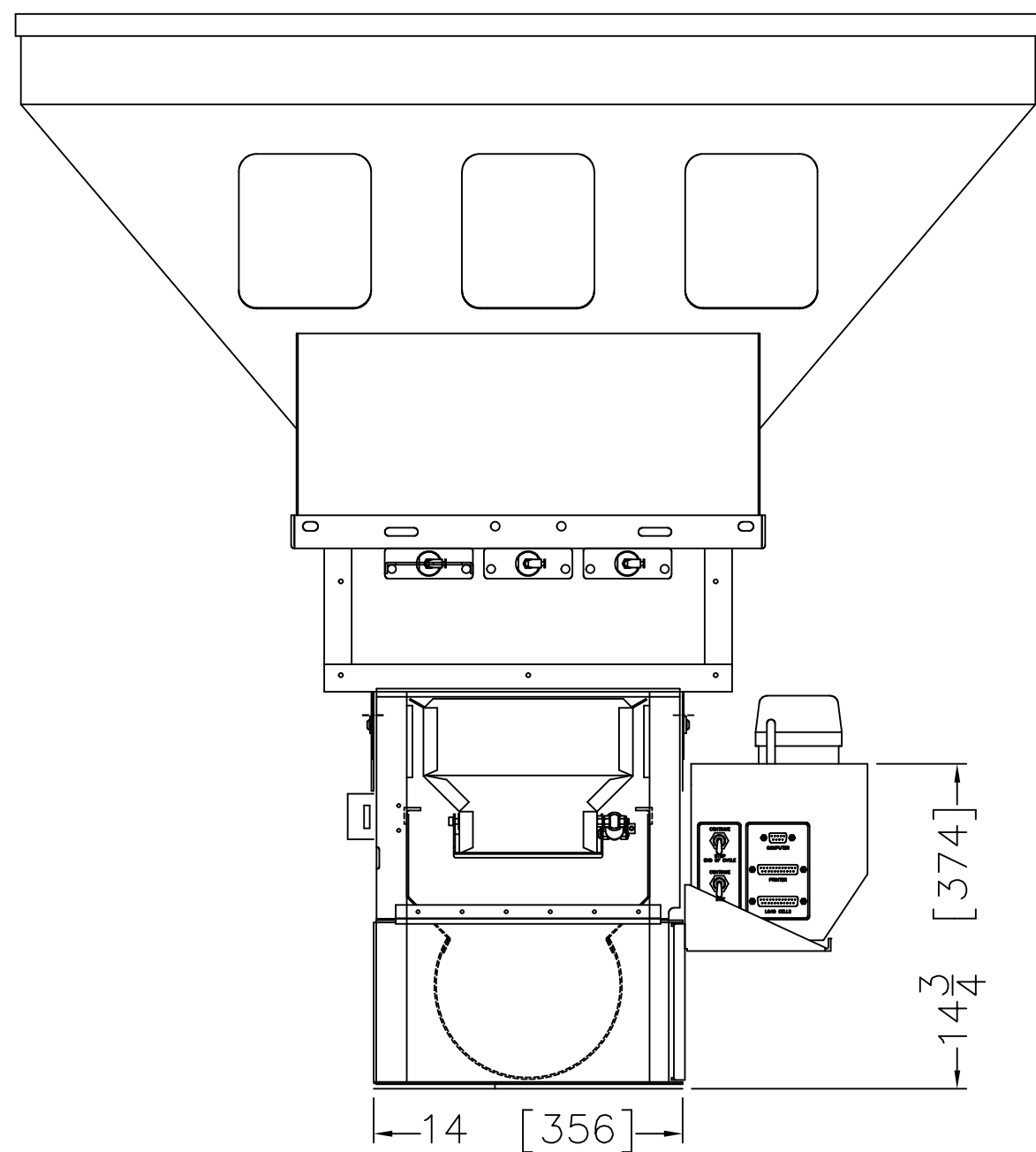


WSB 260 HOPPER LID

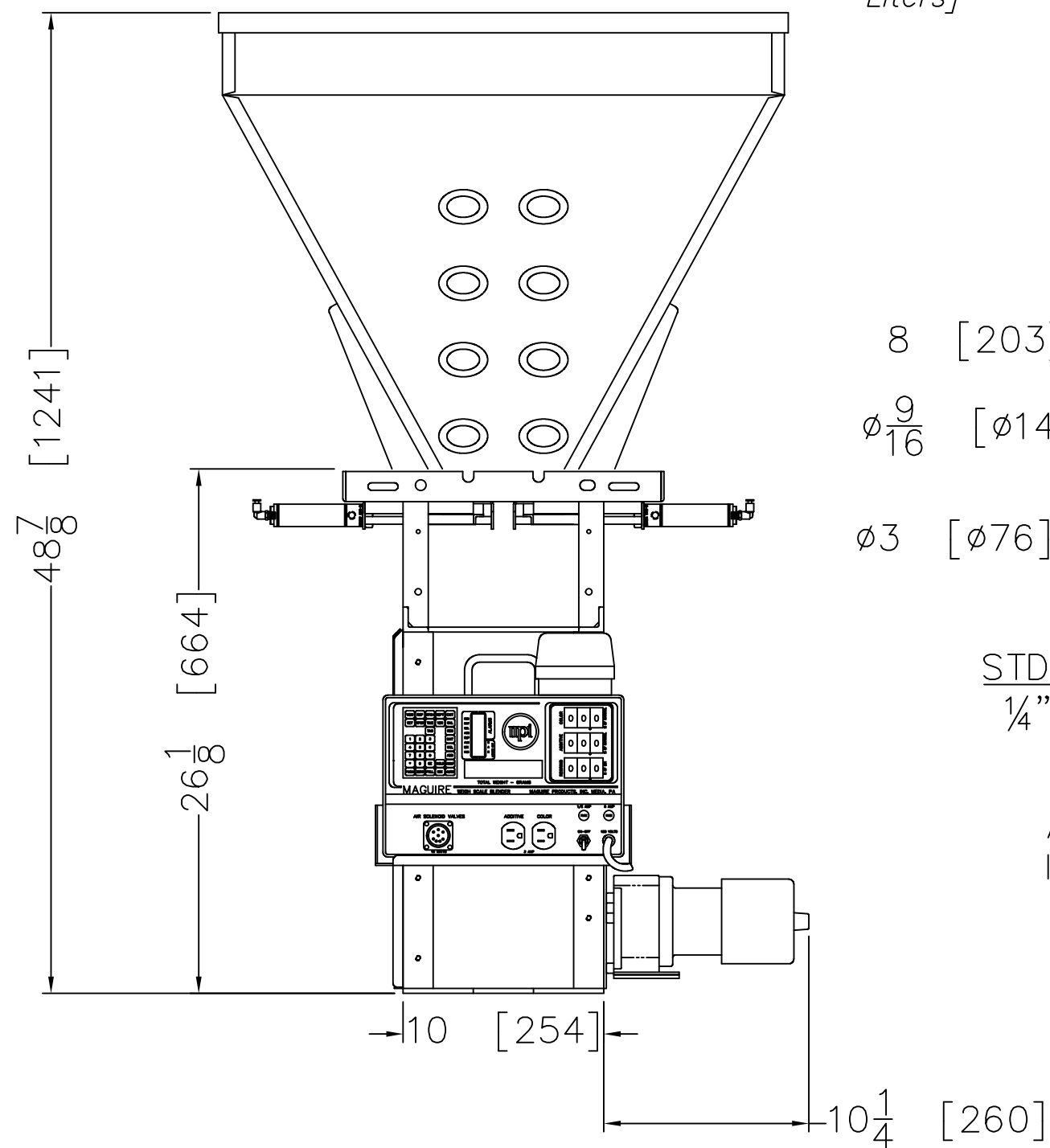


10 [254]

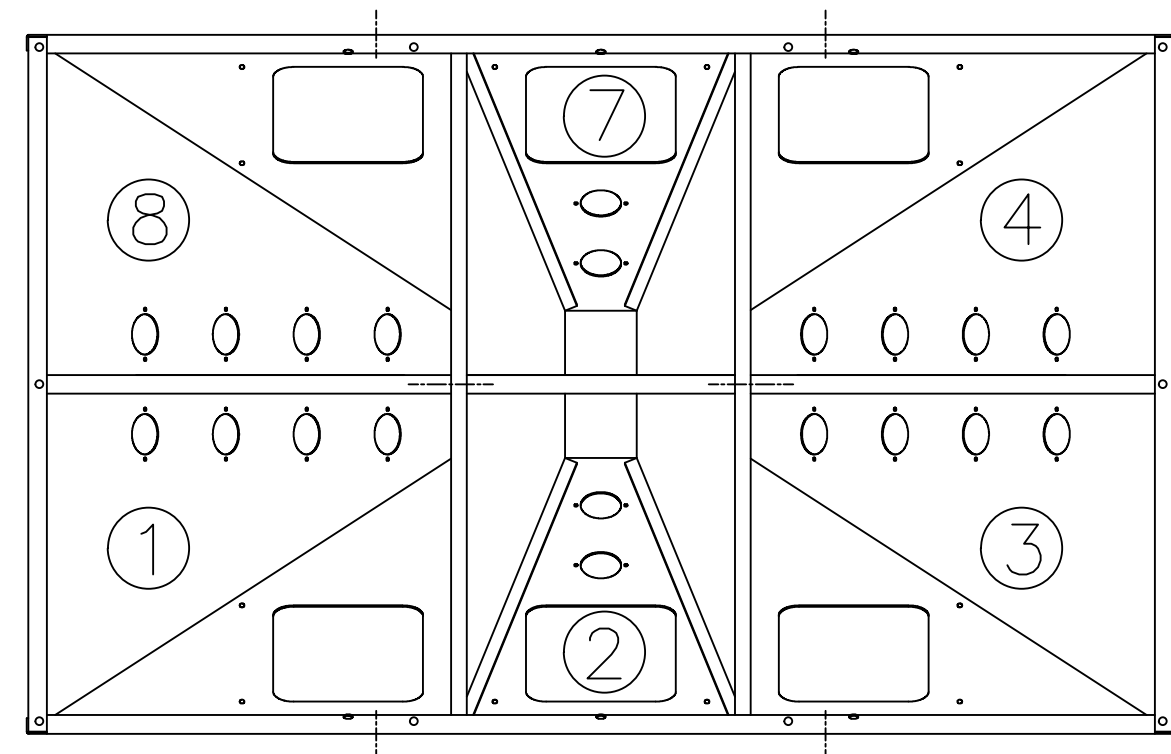
WSB 260 FRONT VIEW



WSB 260 SIDE VIEW

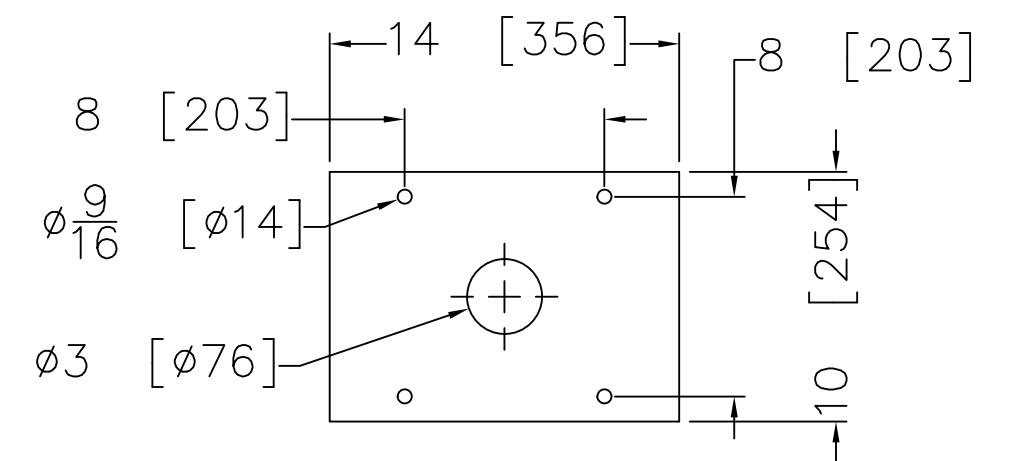


WSB 260 HOPPER-TOP VIEW




MODEL WSB-460 / 960 HOPPER
 *COMPARTMENTS 1, 3, 4, & 8 - 1.5 cu. ft. [42 Liters]
 *COMPARTMENTS 2 & 7 - 1 cu. ft. [28 Liters]

WSB 260 "FOOTPRINT"



STD WSB BOTTOM PLATE
 1/4" [6.4] STEEL PLATE

ALL DIMENSIONS ARE IN INCHES [MILLIMETERS]

| | | |
|---|-------------------|-----------------------|
|  MAGUIRE PRODUCTS, INC. 11 Crozerville Road, Aston, PA 19014 Tel: (888) 459-2412 Fax: (610) 459-2700 http://www.maguire.com | WSB 260 PICTORIAL | |
| | DRAWN BY: JSH | DATE DRAWN: 7/5/16 |
| | SHEET: 1 OF 1 | DATE CHANGED: |