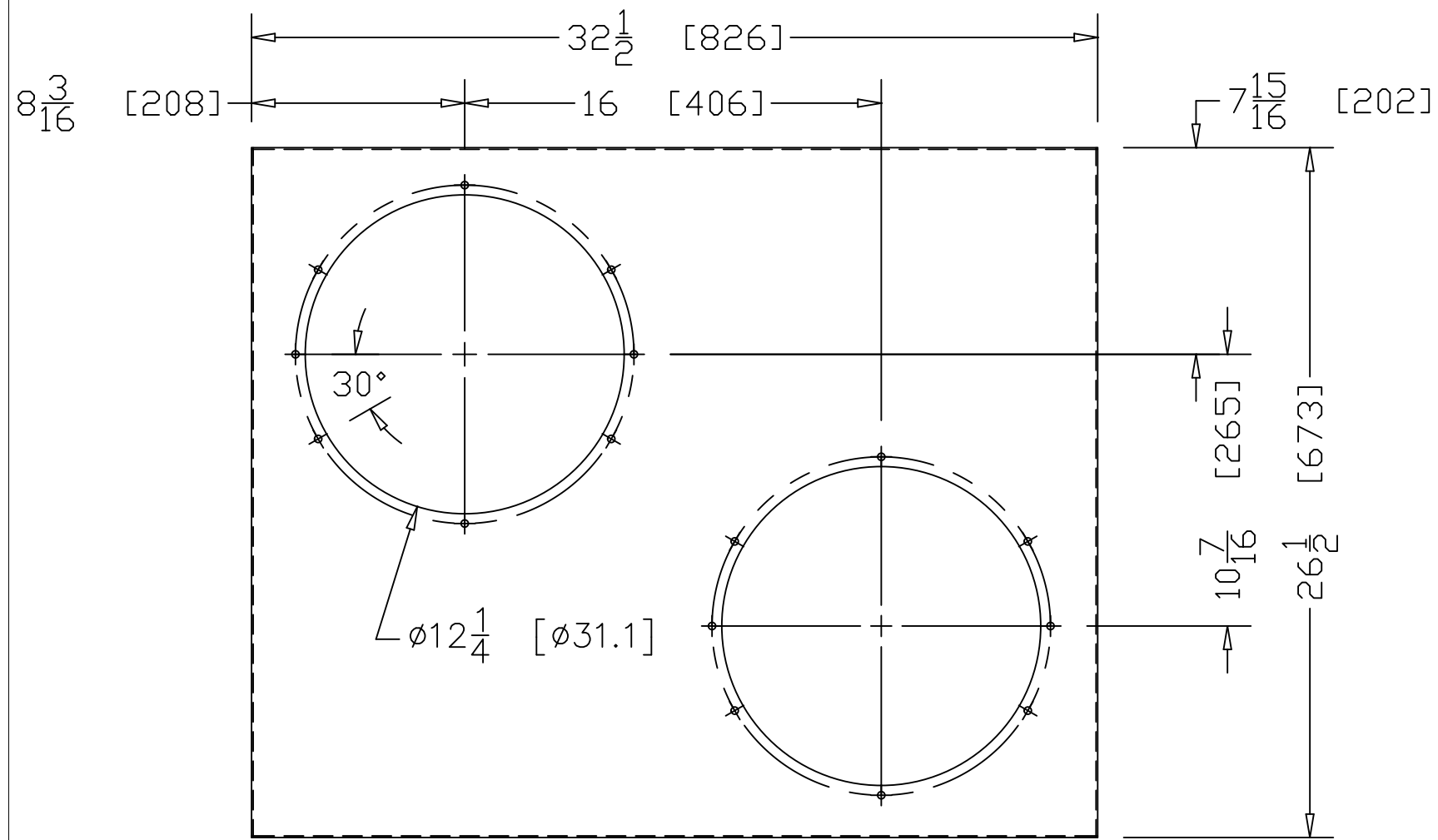
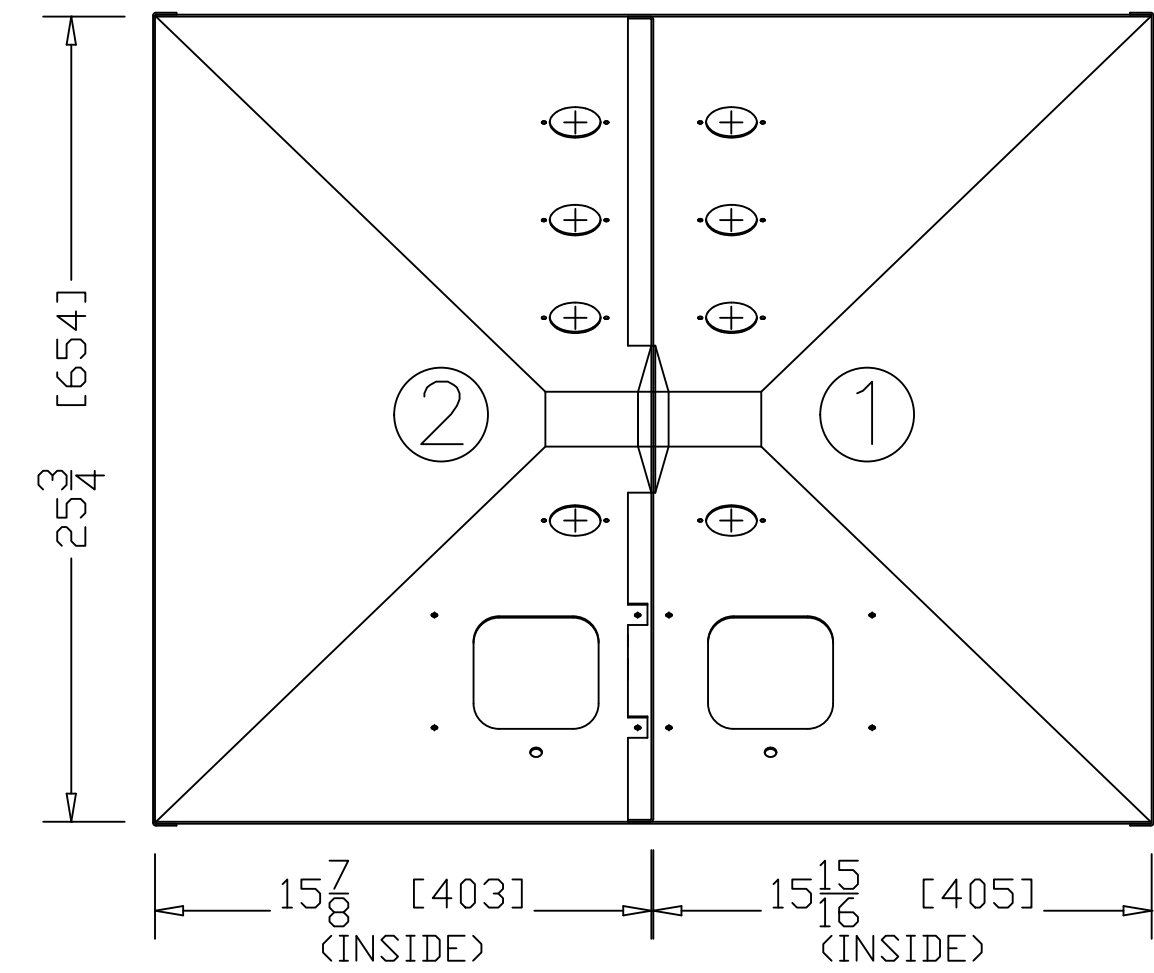


WSB 420 LID TOP VIEW

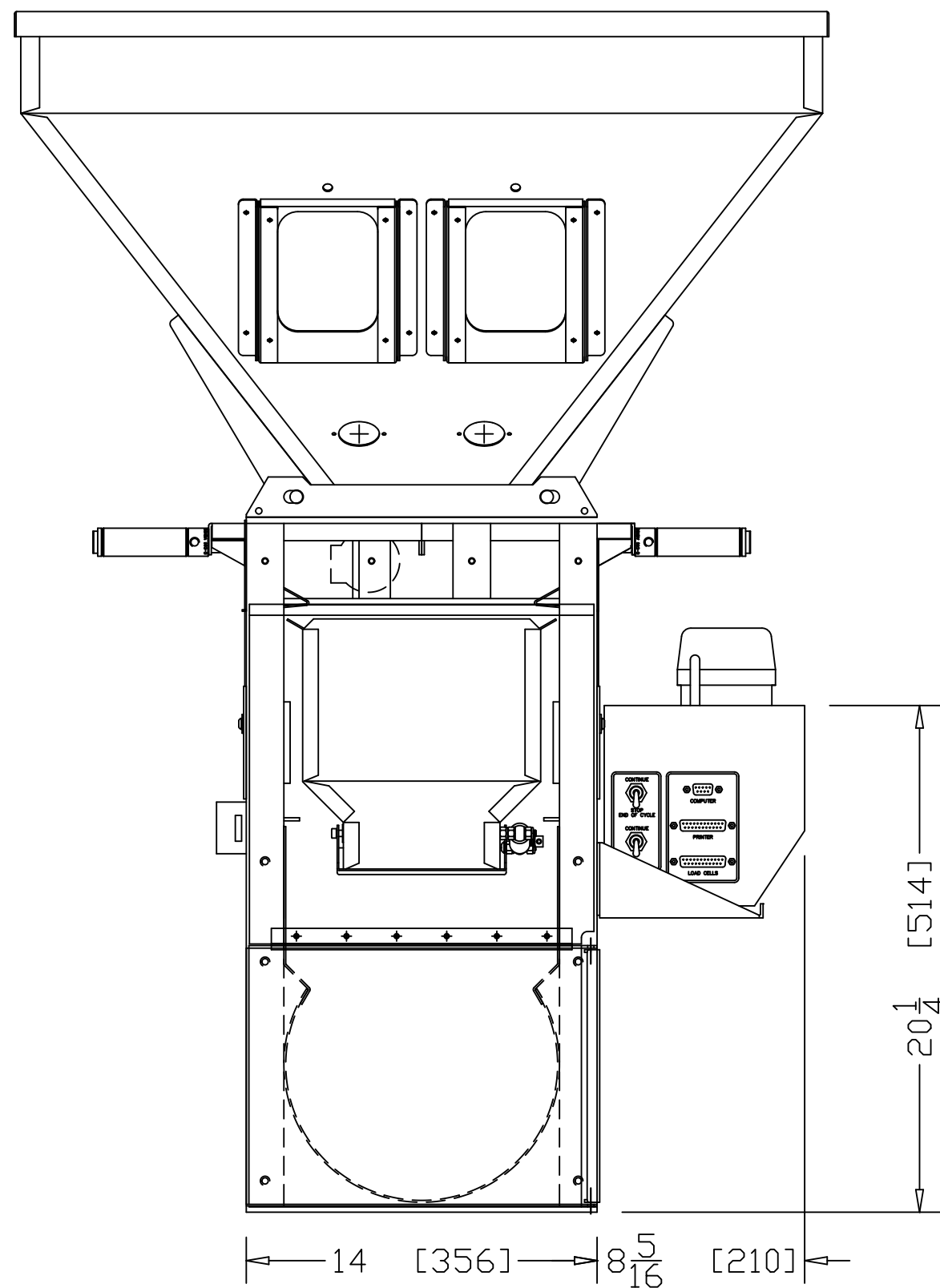


WSB 420 HOPPER TOP VIEW

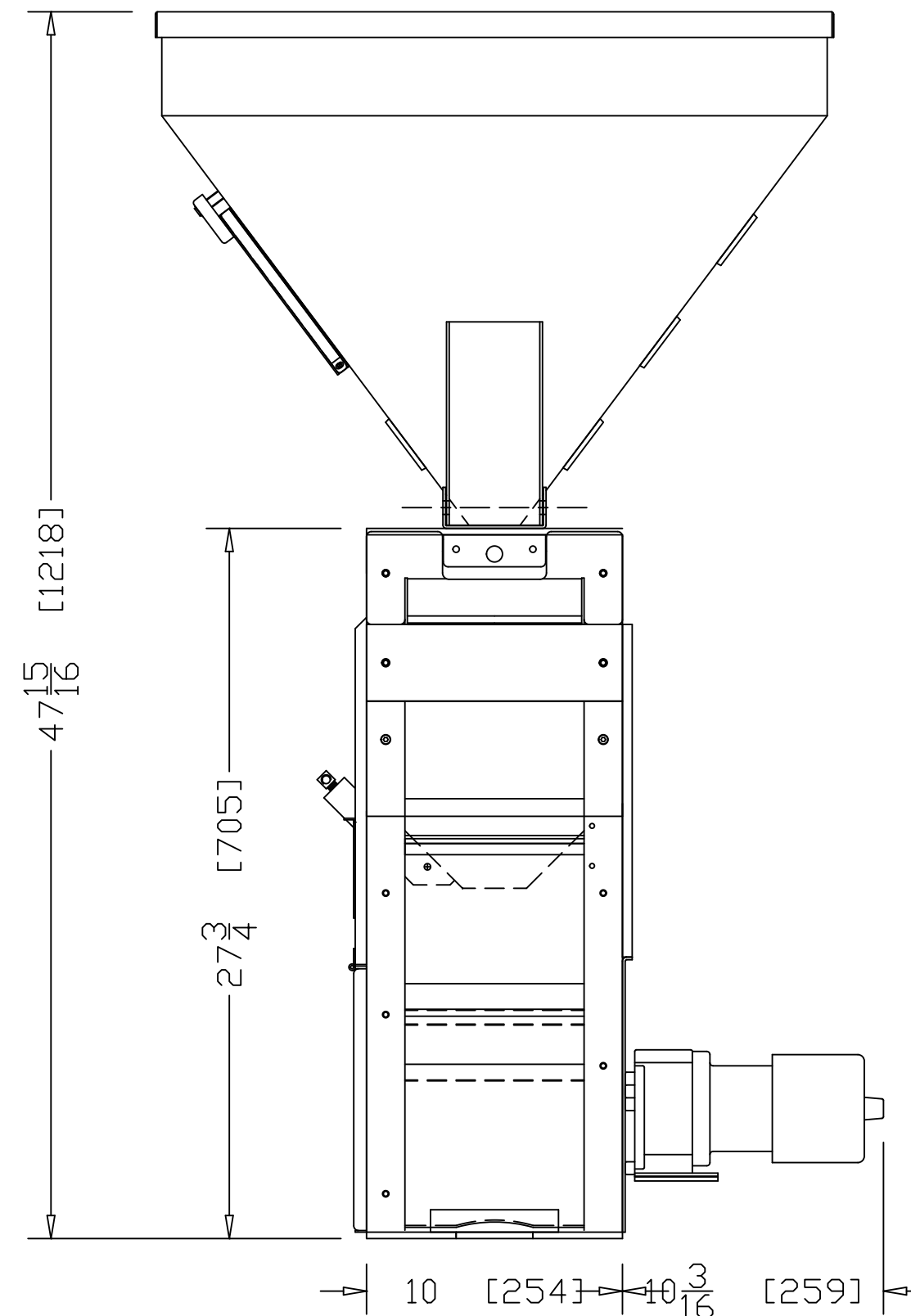


Hopper Capacity approx 2.4 CF [68 Liter]
Maximum per compartment

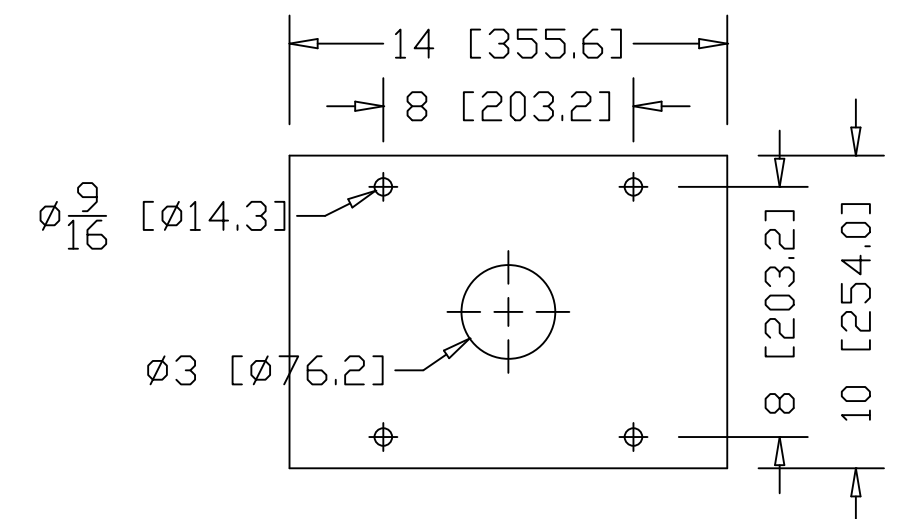
WSB 420 FRONT VIEW



WSB 420 SIDE VIEW




WSB-420
"FOOTPRINT"



STD WSB BOTTOM PLATE
 $\frac{1}{4}$ " [6.4] STEEL PLATE

ALL DIMENSIONS ARE
IN INCHES [MILLIMETERS]

 MAGUIRE PRODUCTS, INC. 11 Crozerville Road, Aston, PA 19014 Tel: (888) 459-2412 Fax: (610) 459-2700 http://www.maguire.com	WSB 420 PICTORIAL	
	DRAWN BY: JSH	DATE DRAWN: 10/14/93
SHEET: 1 OF 1	DATE CHANGED: 6/2/14	