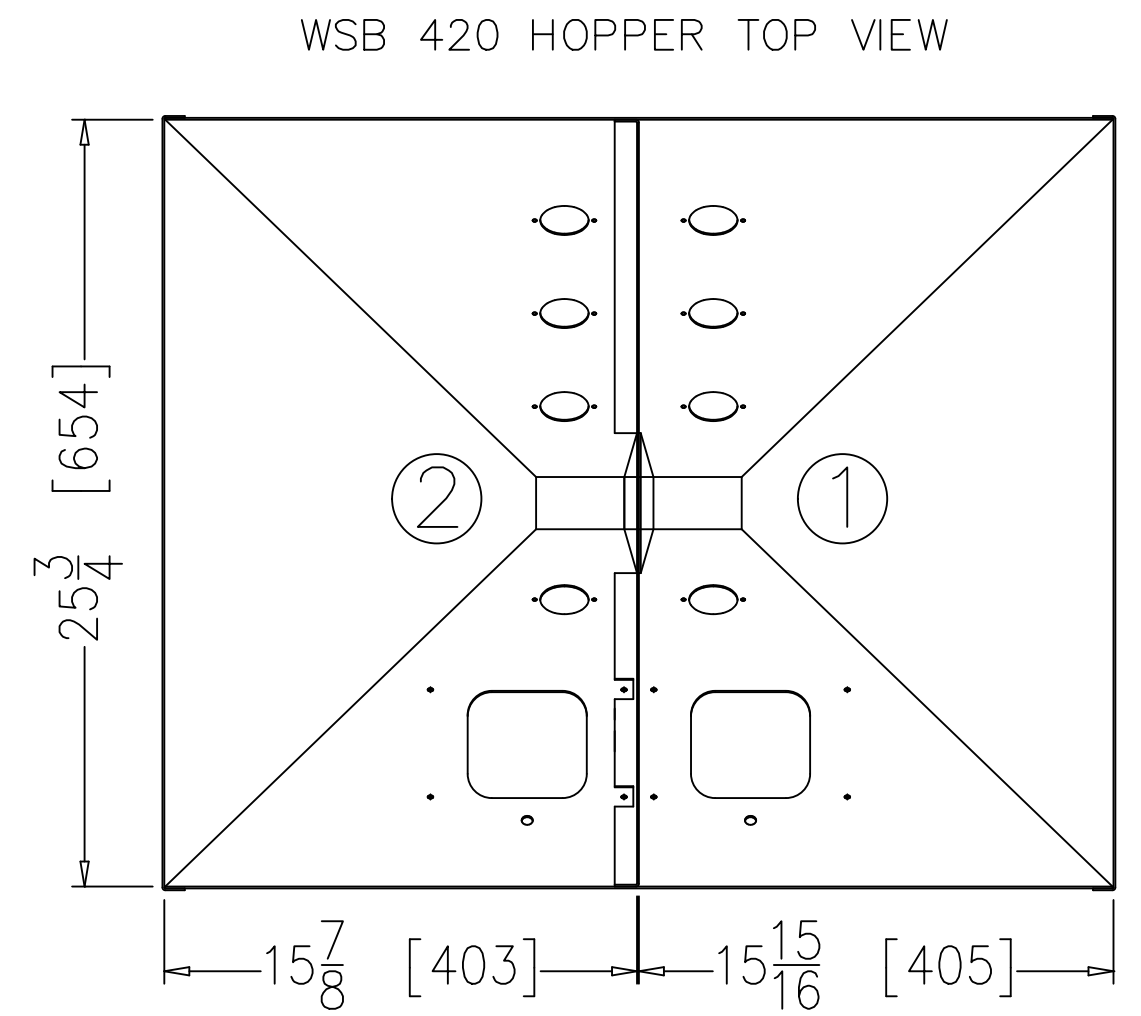


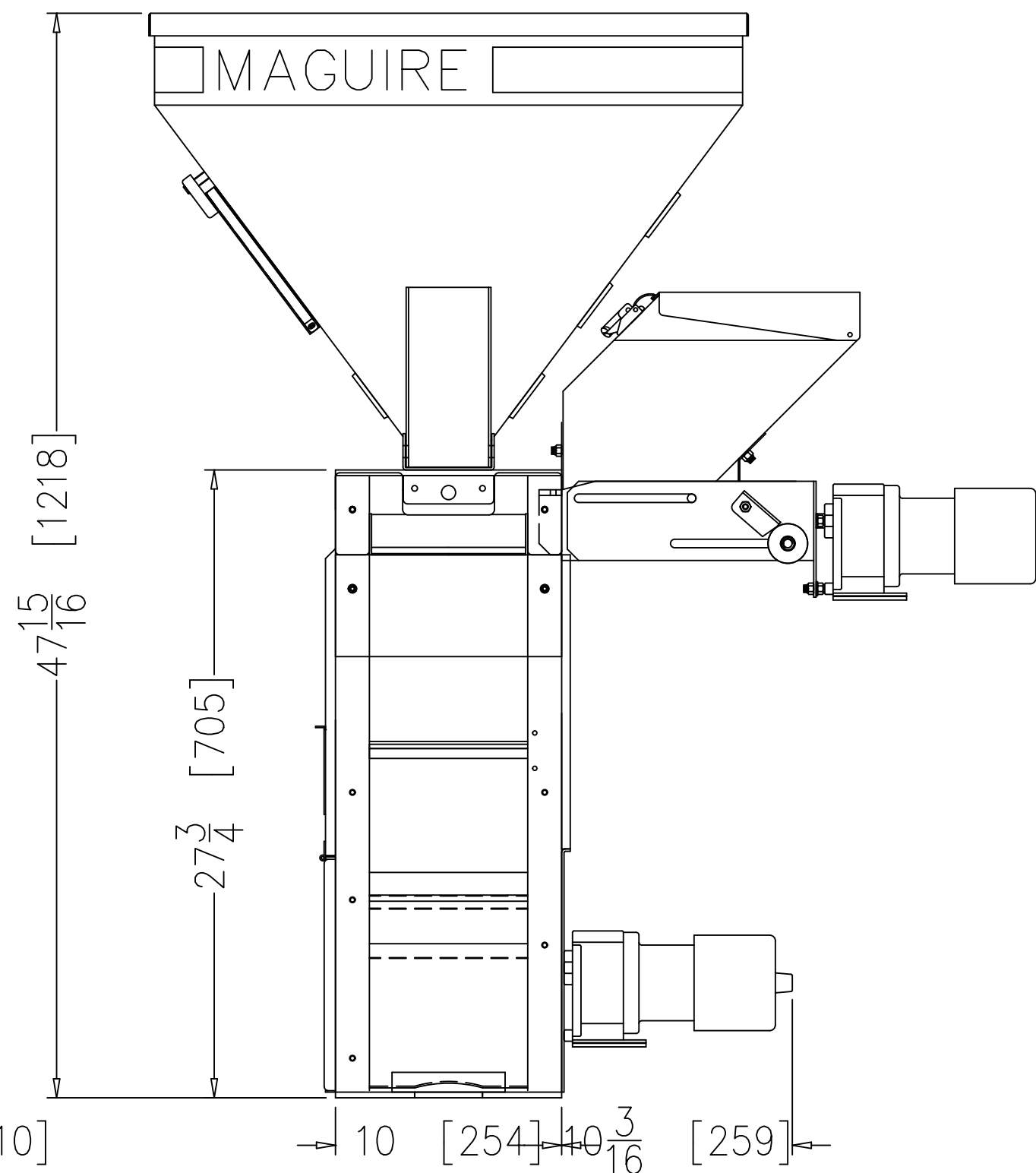
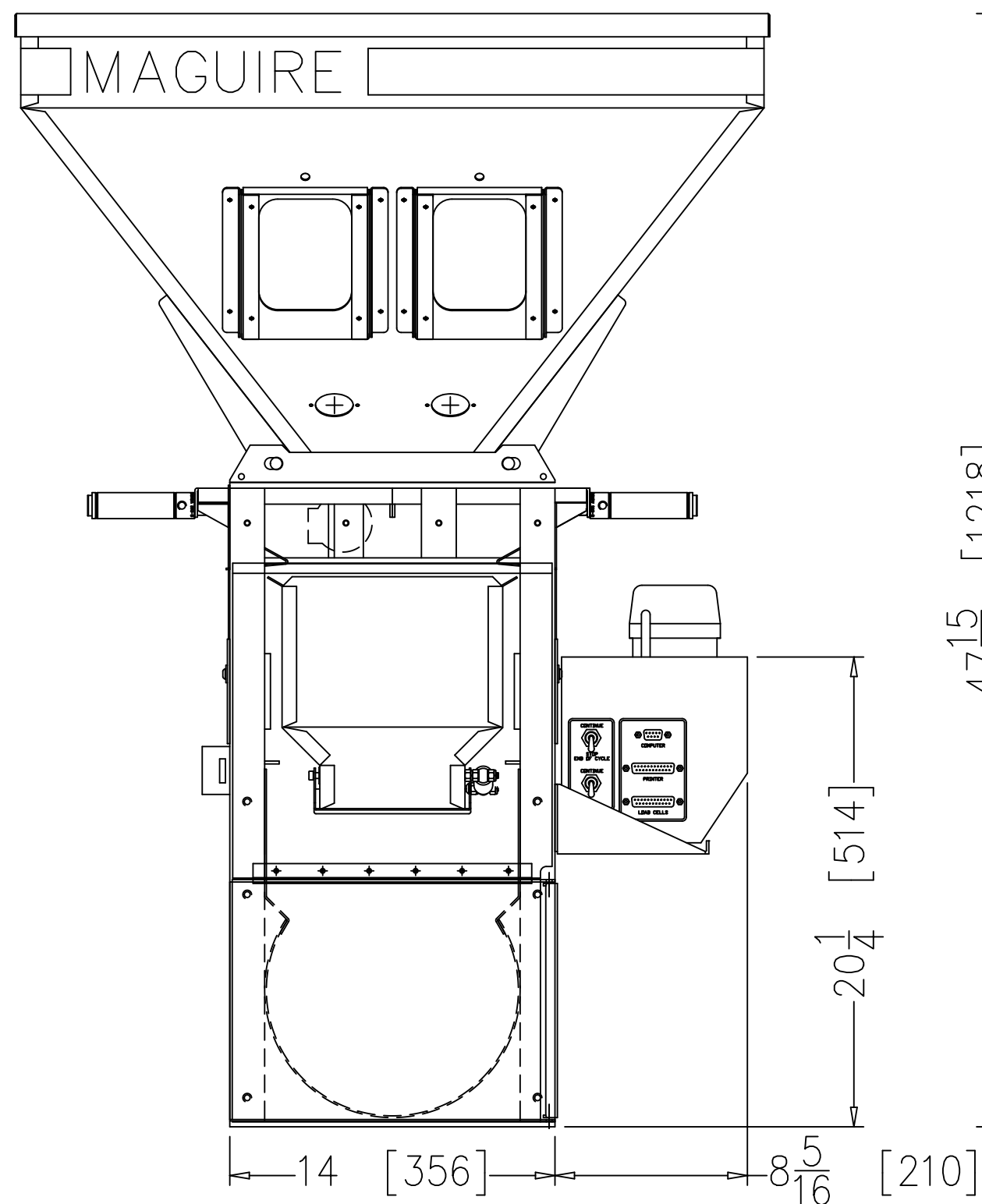
WSB 421 FRONT VIEW

Hopper Capacity approx 2.4 CF [68 Liter] Maximum per compartment

Additive Hopper Capacity approx .5 CF [14 Liter]




WSB 421 SIDE VIEW



STD WSB BOTTOM PLATE
1/4" [6.4] STEEL PLATE

ALL DIMENSIONS ARE
IN INCHES [MILLIMETERS]

 MAGUIRE PRODUCTS, INC. 11 Crozerville Road, Aston, PA 19014 Tel: (888) 459-2412 Fax: (610) 459-2700 http://www.maguire.com	WSB 421 PICTORIAL	
	DRAWN BY: JSH	DATE DRAWN: 10/14/93
	SHEET: 1 OF 1	DATE CHANGED: 6/2/14