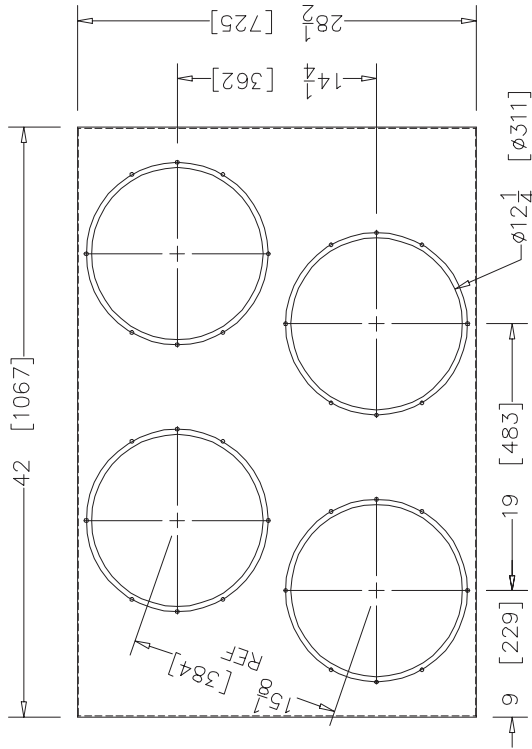
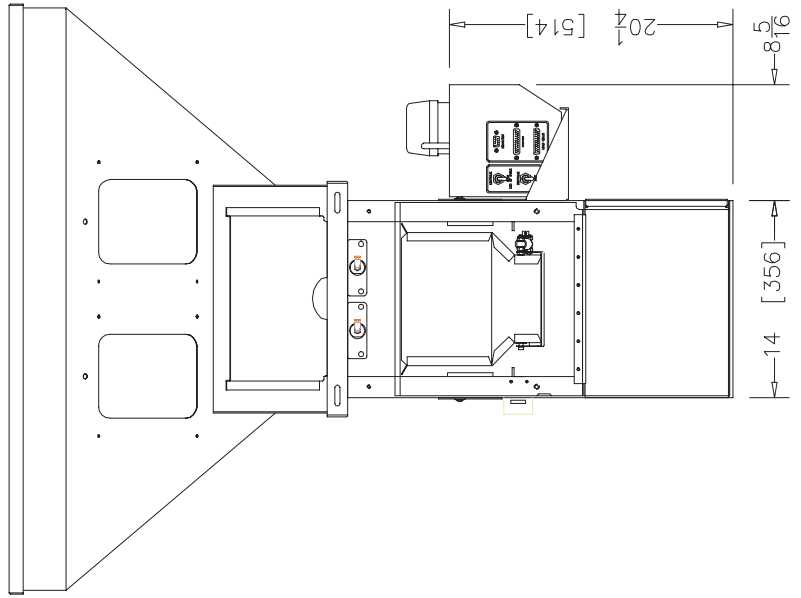


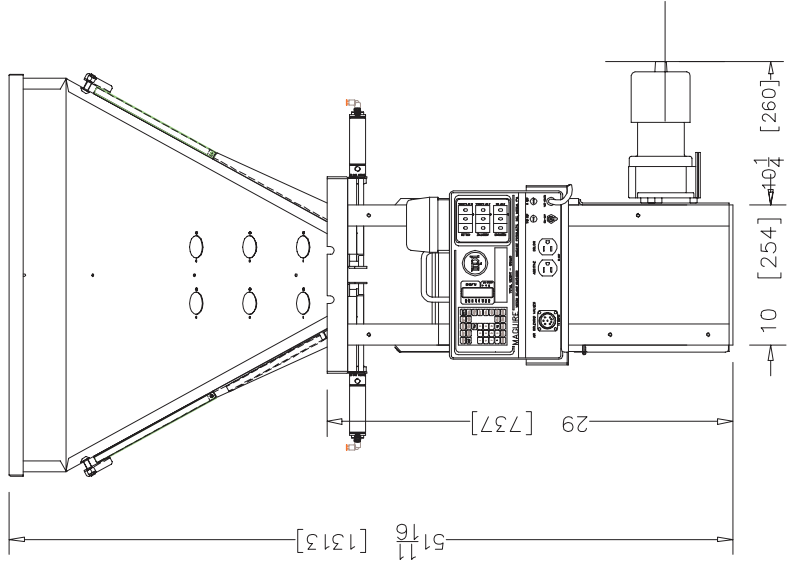
WSB-440 LID TOP VIEW



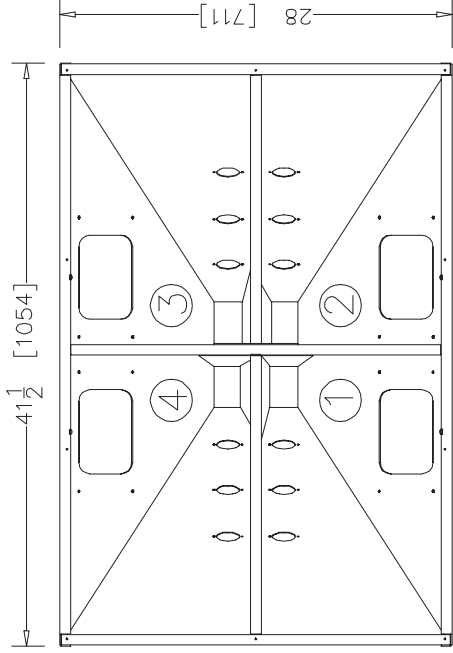
WSB 440 FRONT VIEW



WSB 440 SIDE VIEW

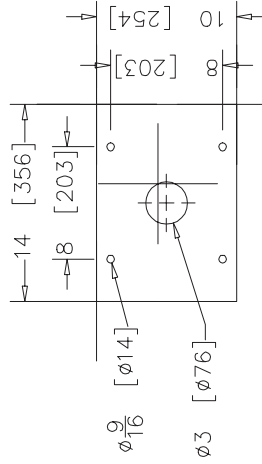


WSB-440 HOPPER TOP VIEW



NOTE: Practical capacity of each compartment is approx. 1.2 cu. ft. [34 litres].

WSB 440 "FOOTPRINT"



STD WSB BOTTOM PLATE
1/4" [6.4] STEEL PLATE

ALL DIMENSIONS ARE
IN INCHES [MILLIMETERS]



MAGUIRE PRODUCTS, INC.
11 Crozerville Road, Aston, PA 19014
Tel: (888) 455-2412
Fax: (610) 455-2700
http://www.maguire.com

WSB 440
PICTORIAL

DRAWN BY:	JSH	DATE DRAWN:	5/2/94
SHEET:	1 OF 1	DATE CHANGED:	1/14/97