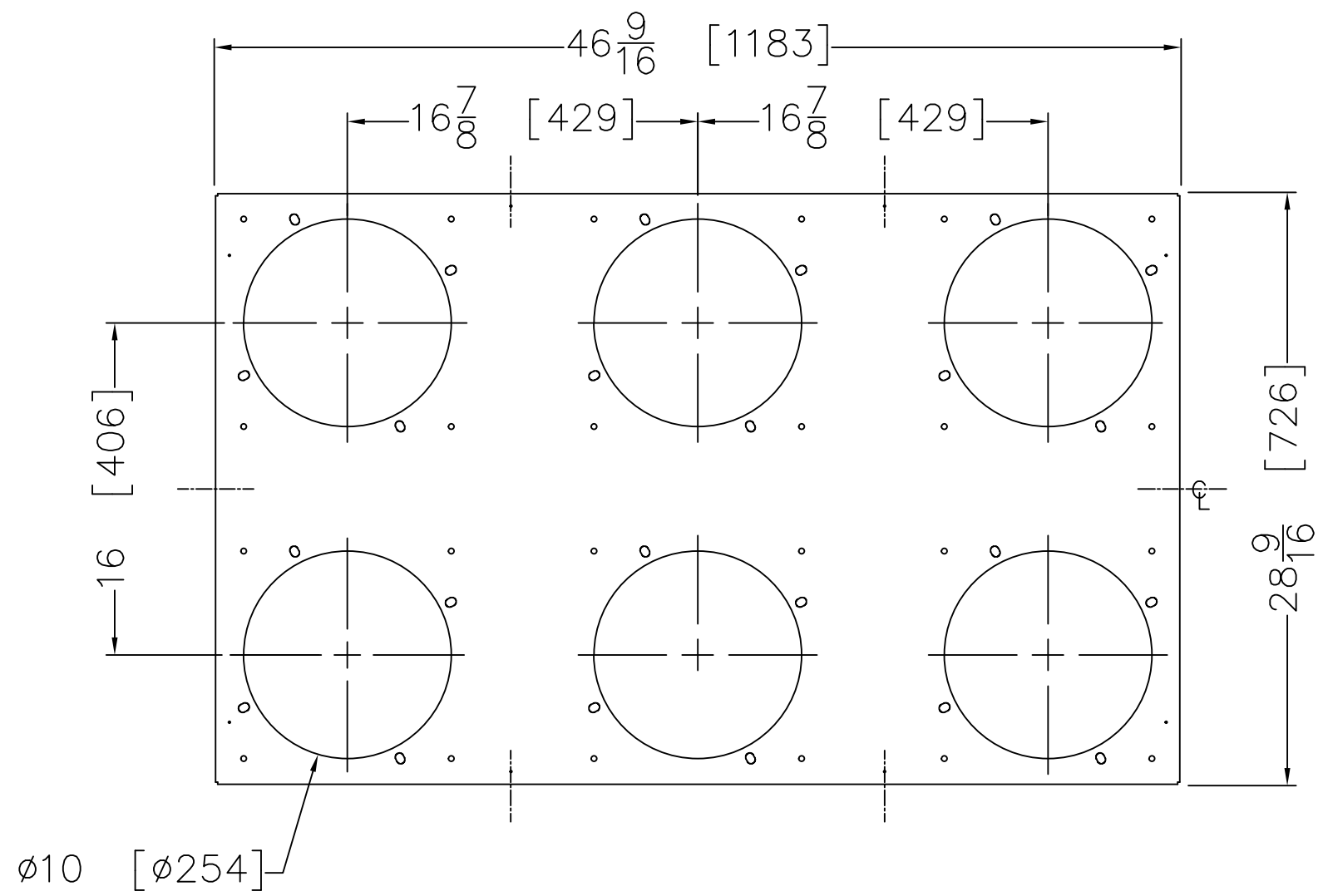
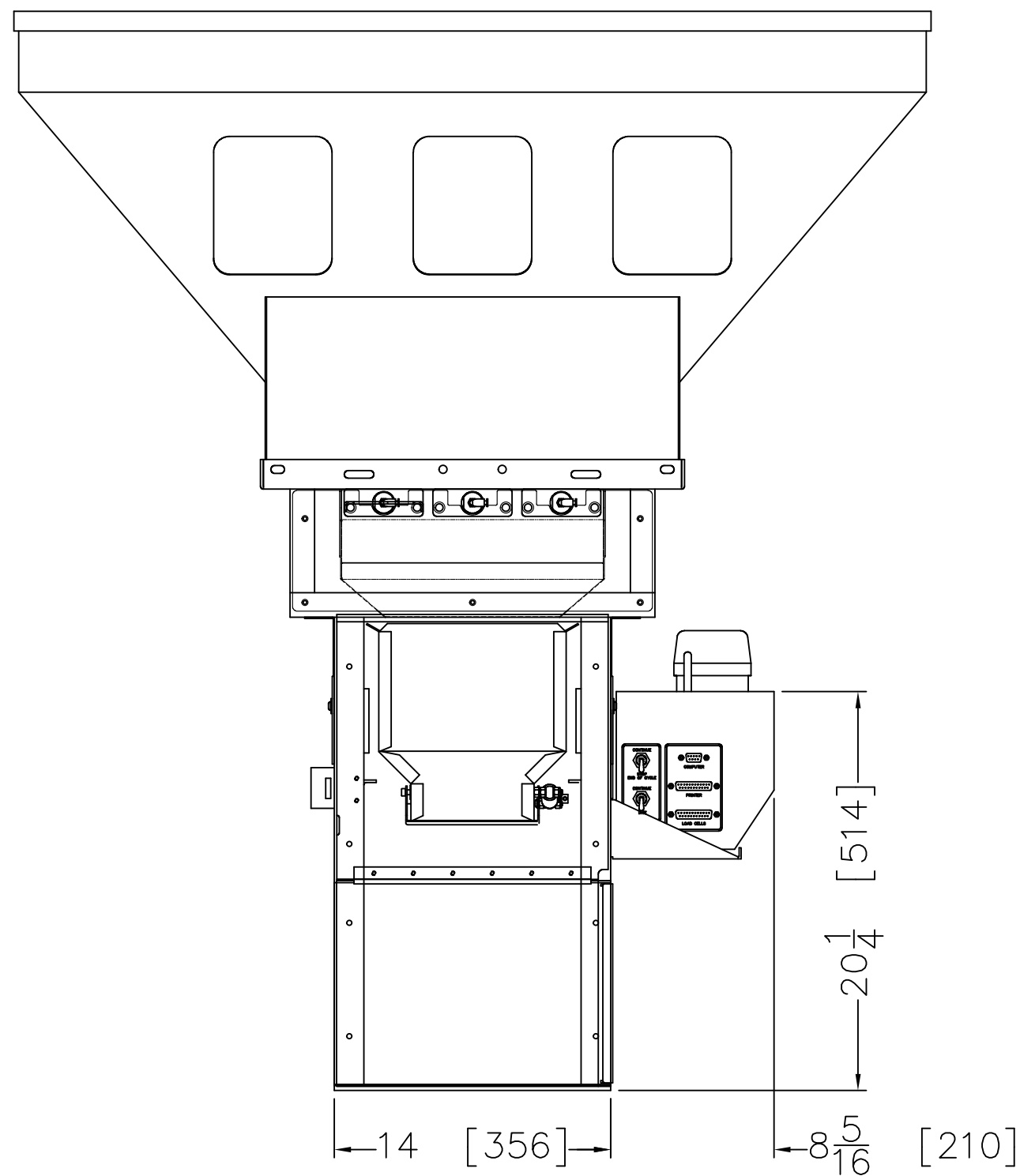


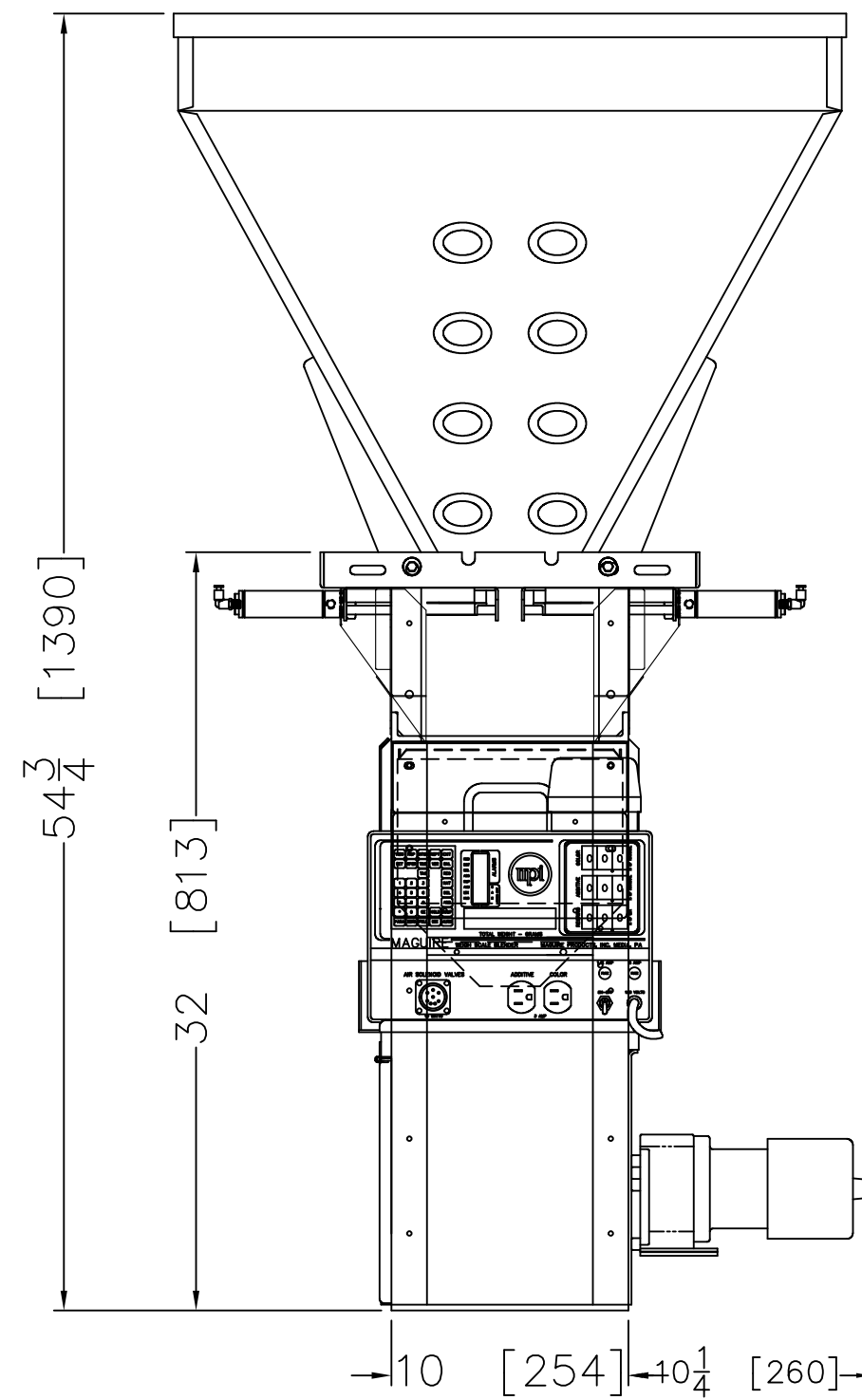
WSB 460 / 960 HOPPER LID



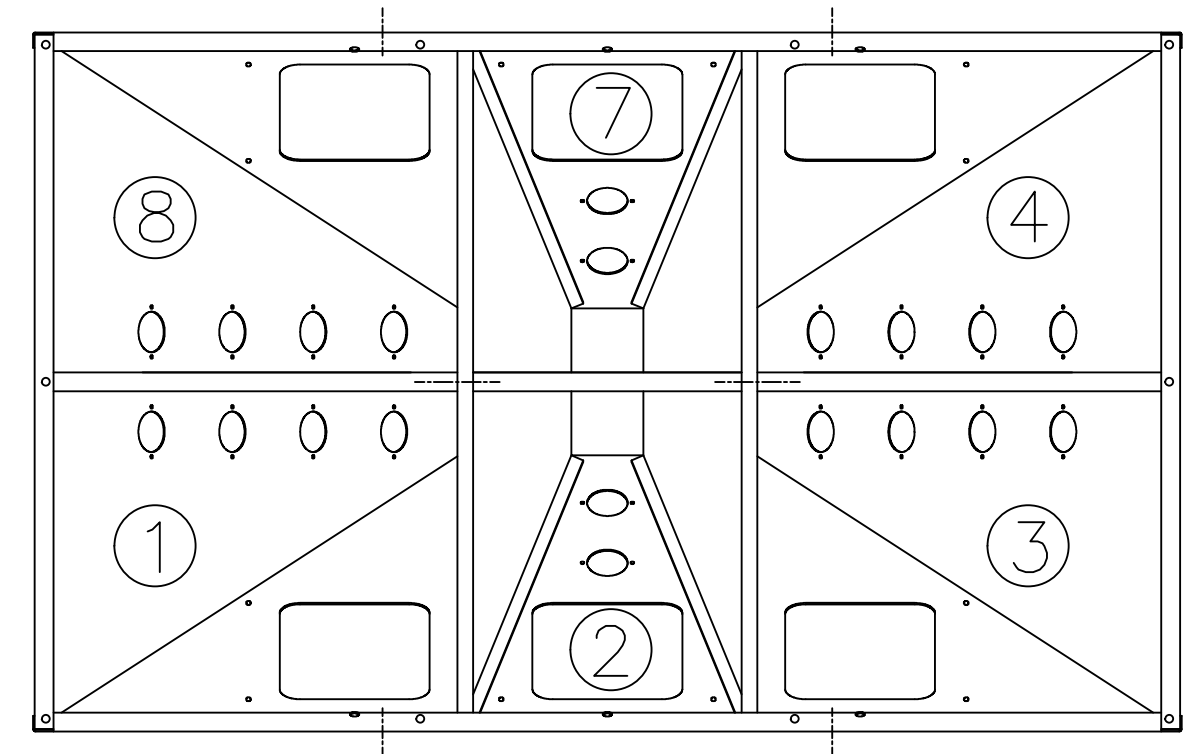
WSB 460 FRONT VIEW



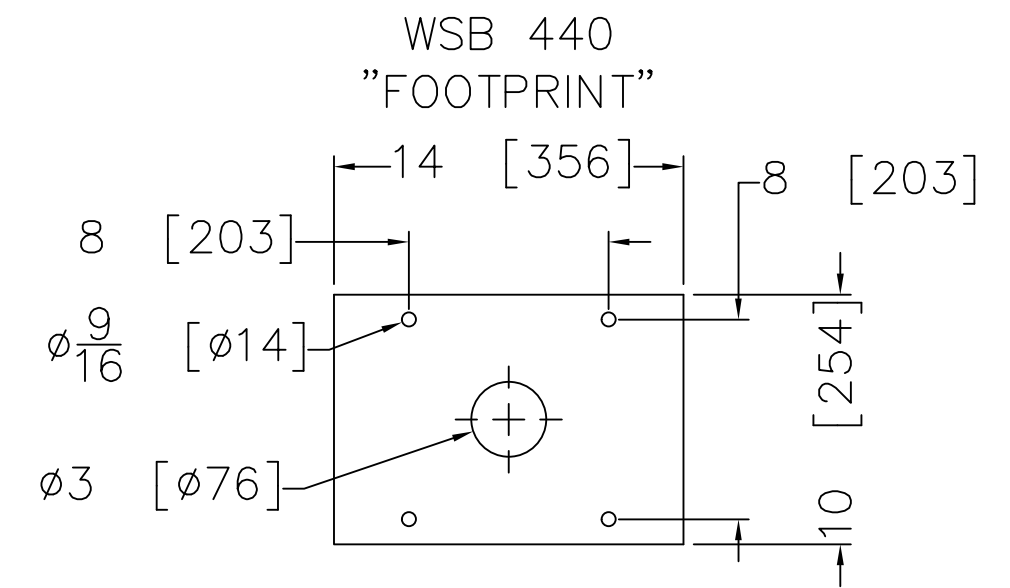
WSB 460 SIDE VIEW



WSB 460 / 960 HOPPER-TOP VIEW



MODEL WSB-460 / 960 HOPPER  
 \*COMPARTMENTS 1, 3, 4, & 8 - 1.5 cu. ft. [42 Liters]  
 \*COMPARTMENTS 2 & 7 - 1 cu. ft. [28 Liters]



STD WSB BOTTOM PLATE  
 1/4" [6.4] STEEL PLATE

ALL DIMENSIONS ARE  
 IN INCHES [MILLIMETERS]

<p><b>MAGUIRE</b>                  PRODUCTS, INC.                  11 Crozerville Road, Aston, PA 19014                  Tel: (888) 459-2412                  Fax: (610) 459-2700                  http://www.maguire.com</p>	WSB 460 PICTORIAL	
	DRAWN BY: JSH	DATE DRAWN: 7/5/16
	SHEET: 1 OF 1	DATE CHANGED: