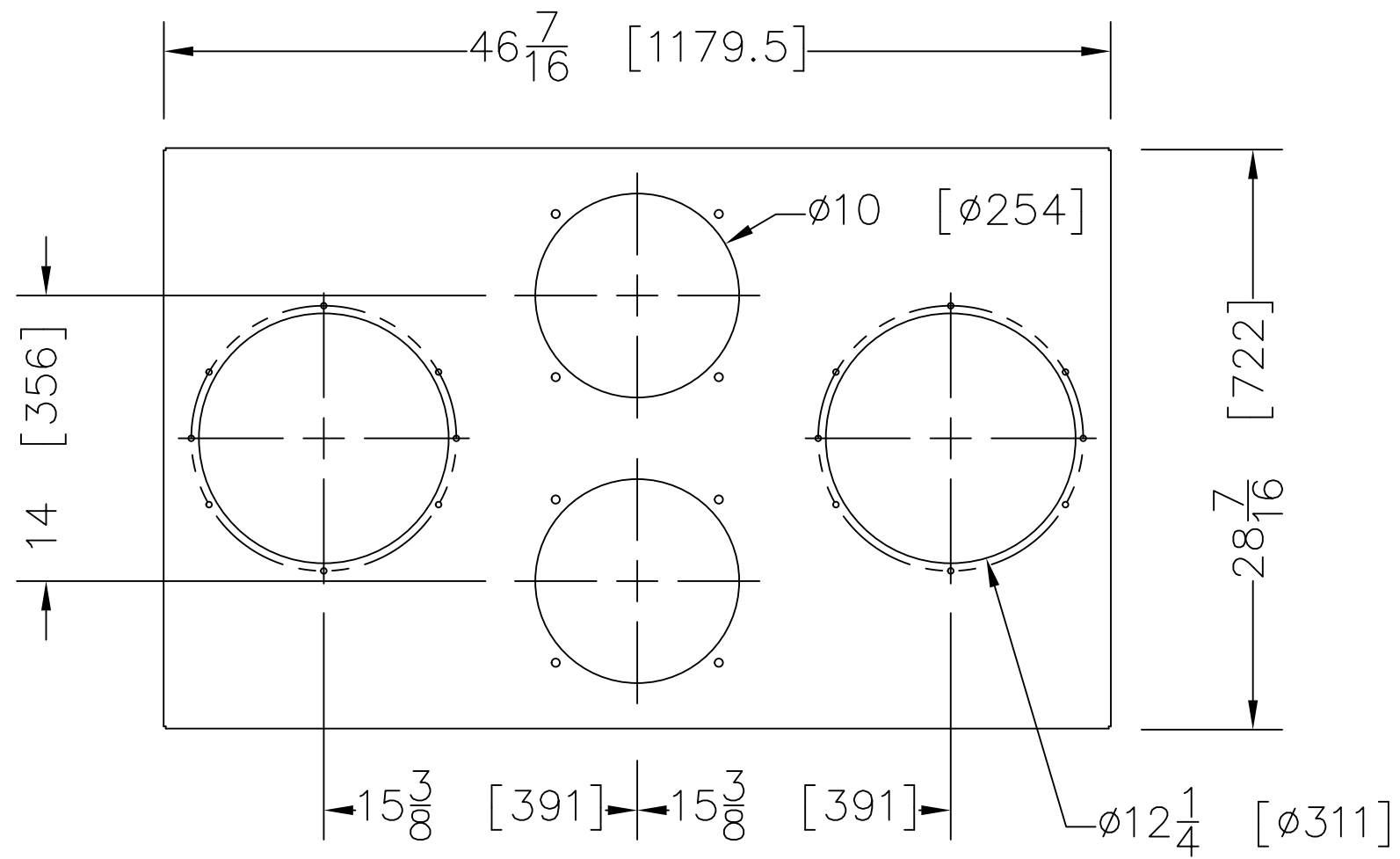
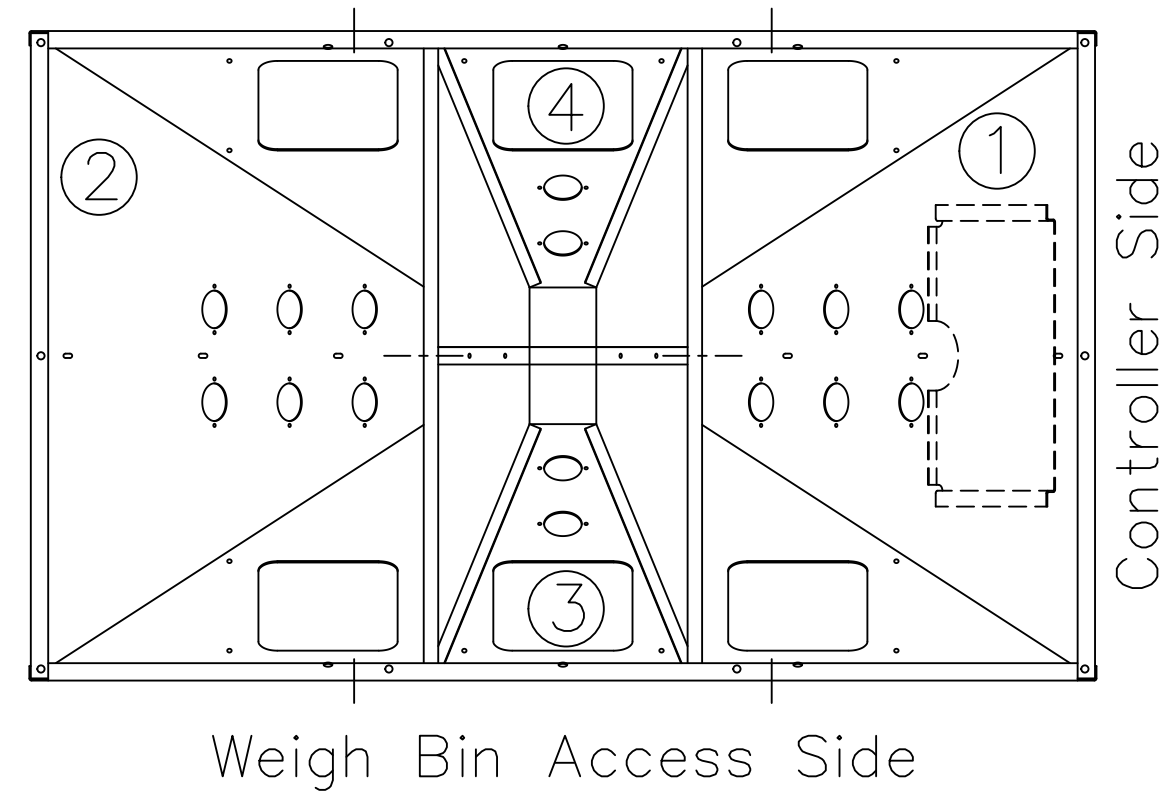


WSB-940 HOPPER LID

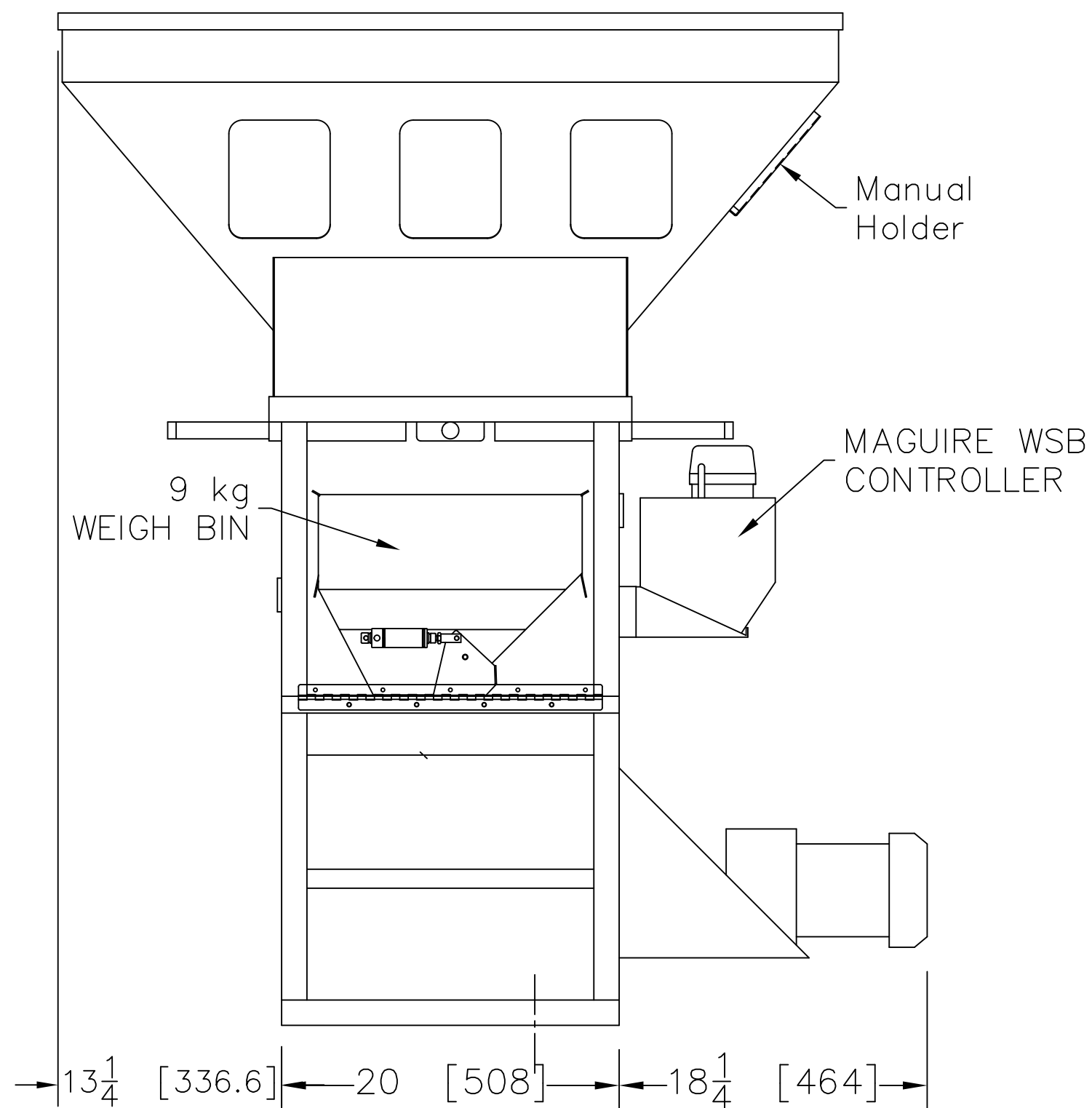


Compartments 1 & 2 - approx 3 CF [84L]
 Compartments 2 & 4 - approx 1 CF [28L]

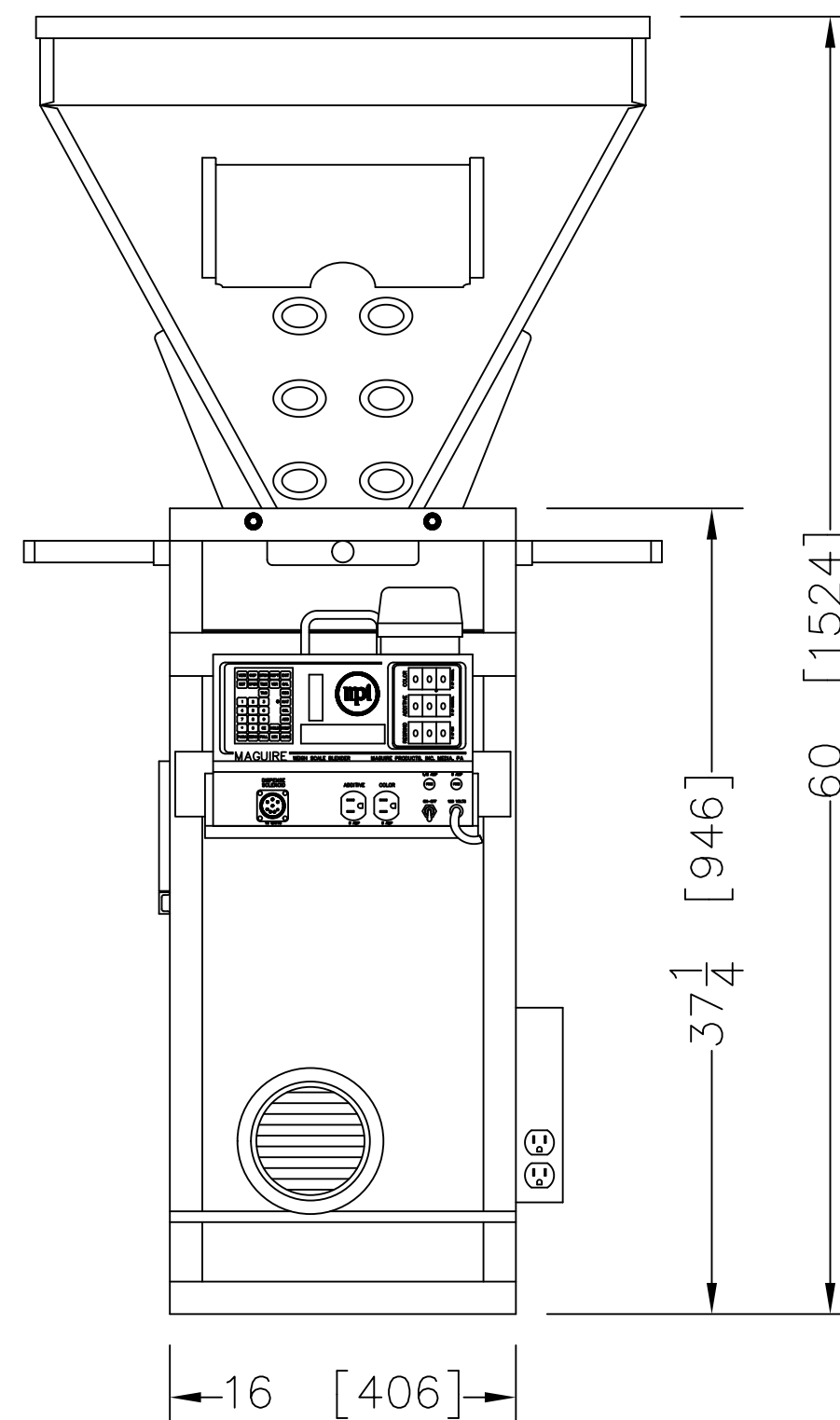
WSB 940 HOPPER-TOP VIEW



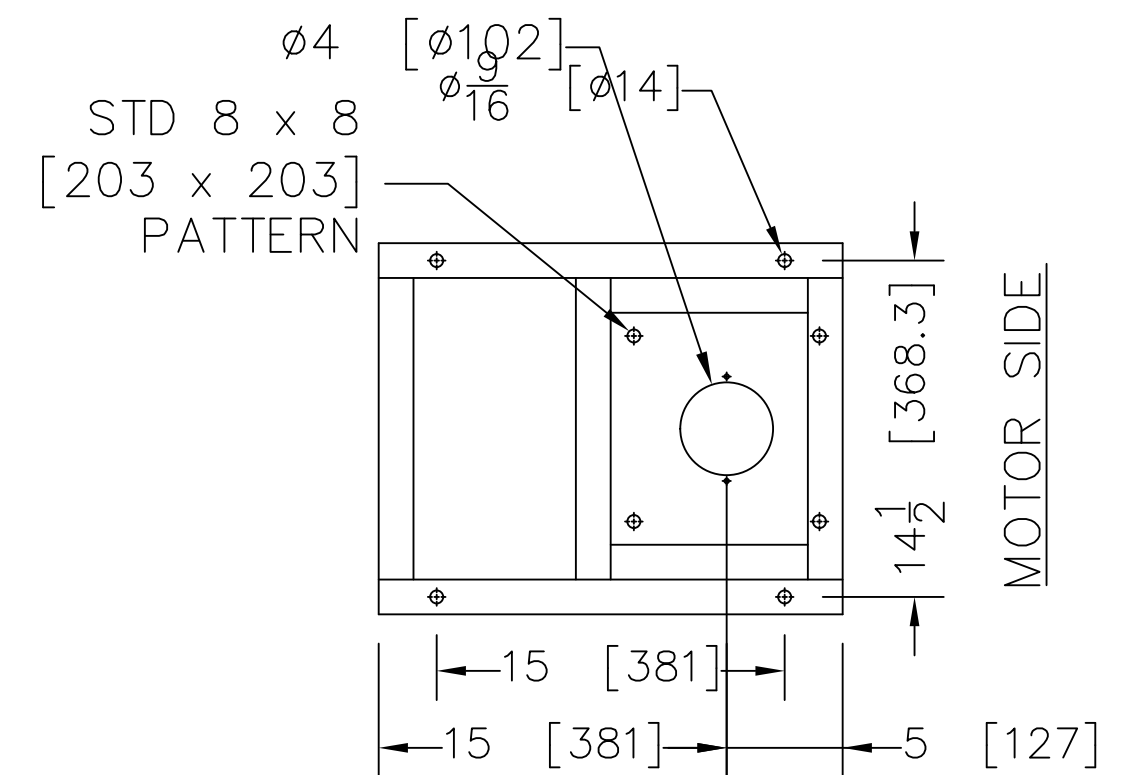
WSB-940 Front View




WSB-940 Side View



WSB-940 FOOTPRINT



 MAGUIRE PRODUCTS, INC. 11 Crozerville Road, Aston, PA 19014 Tel: (888) 459-2412 Fax: (610) 459-2700 http://www.maguire.com	MAGUIRE WEIGH SCALE BLENDER MODEL WSB-940	
	DRAWN BY: CGC	DATE DRAWN: 11/15/94
	SHEET: 1 OF 1	DATE CHANGED: 4/12/17