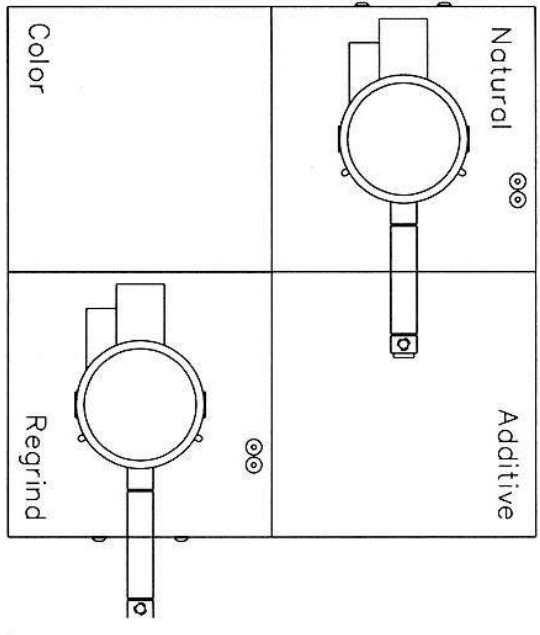
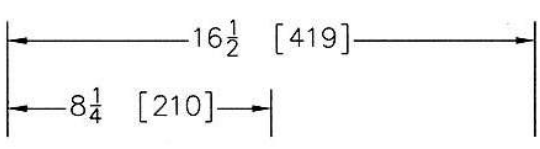
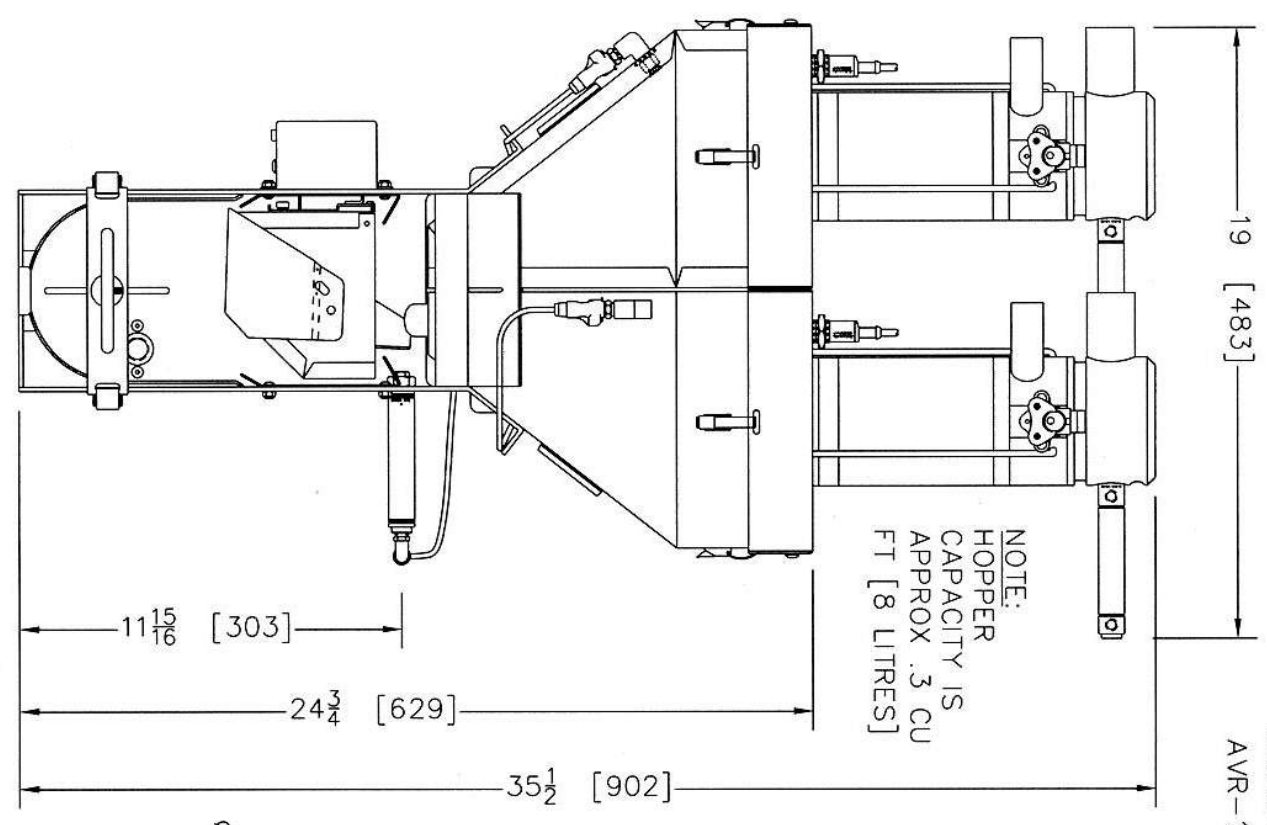


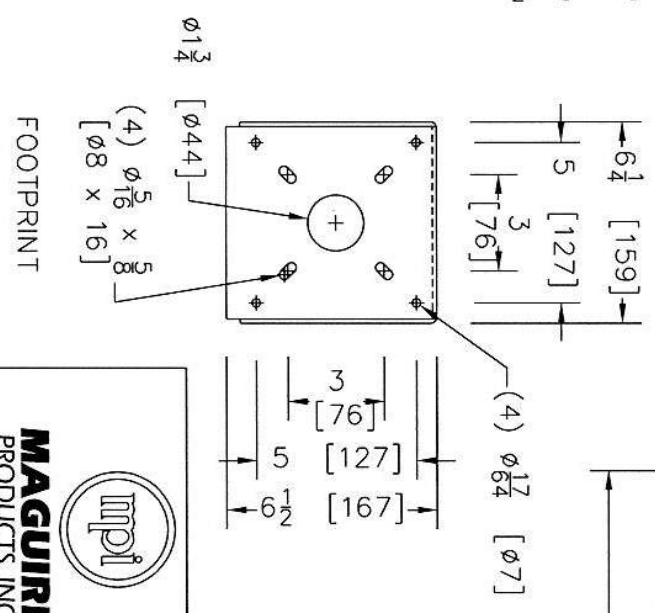
DIMENSIONS
US inches [SI mm]

WSB-MB

MicroBlender and
AVR-1 Receiver



Top View



FOOTPRINT



MAGUIRE PRODUCTS, INC.
11 Crozerville Road, Aston, PA 19014
Tel: (888) 459-2412
Fax: (610) 459-2700
<http://www.maguire.com>

WSB-MB with two AVR-1	
Drawn by: JSH	Date drawn: 9/10/99
SHEET: 1 of 1	FILE: mb-avr-1