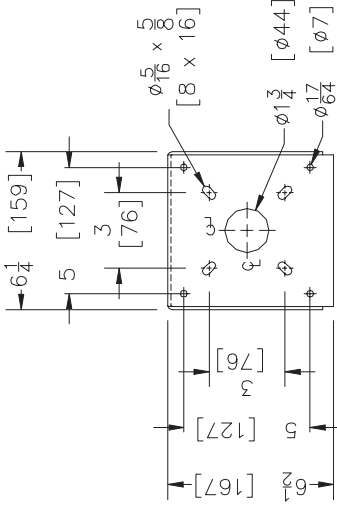
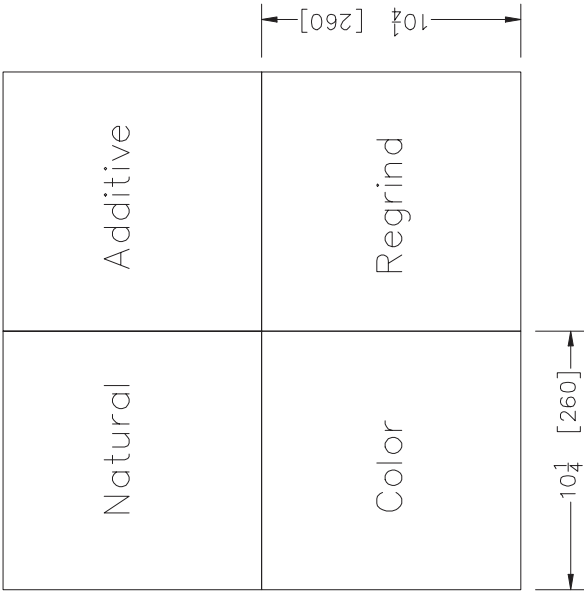




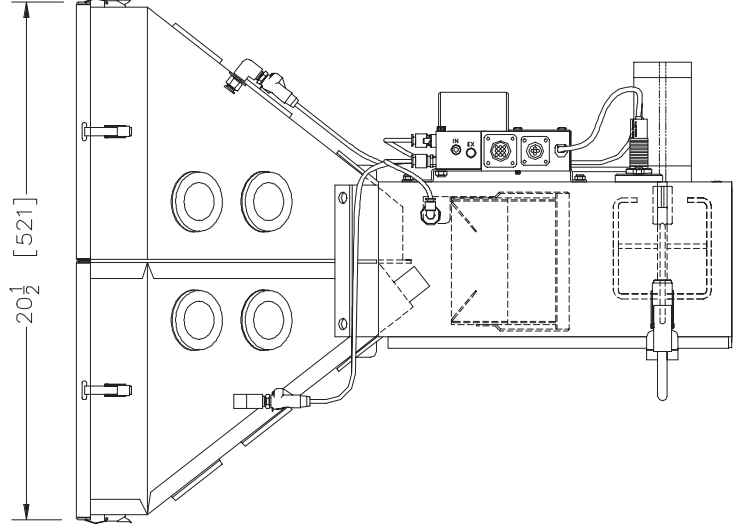
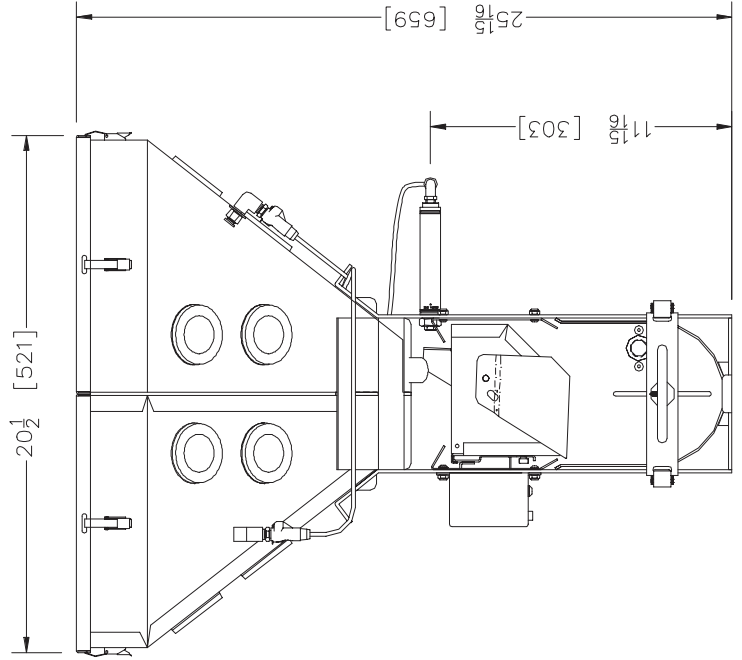
**MAGUIRE  
PRODUCTS, INC.**

11 Crozerville Road, Aston, PA 19014  
Tel: (888) 459-2412  
Fax: (610) 459-2700  
<http://www.maguire.com>



FOOTPRINT

**NOTE:**  
HOPPER CAPACITY IS APPROX .3  
CU FT [8 LITRES]



**DIMENSIONS**  
US inches [SI mm]

WSB-MB  
Pictorial

Drawn by:  
JSH

Date drawn:  
9/10/99