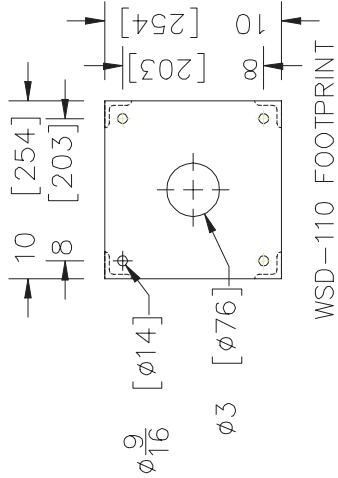
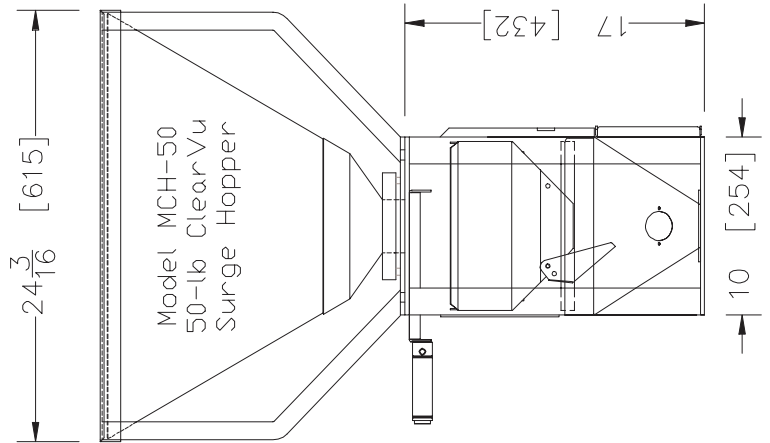


Loader pattern added to customer specifications

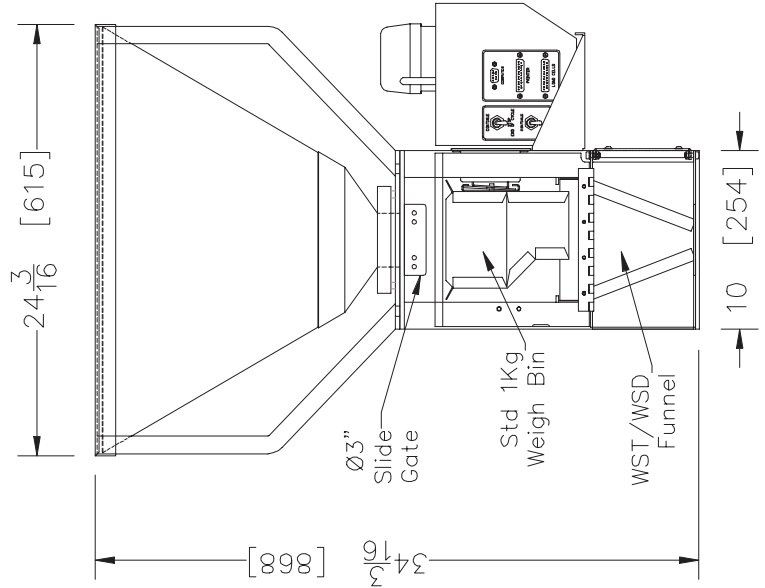


WSD-110 FOOTPRINT

WSD-110 SIDE VIEW



WSD-110 FRONT VIEW



ALL DIMENSIONS ARE
IN INCHES [MILLIMETERS]



MAGUIRE
PRODUCTS, INC.
11 Crozerville Road, Aston, PA 19014
Tel: (888) 459-2412
Fax: (610) 459-2700
<http://www.maguire.com>

WSD 110
PICTORIAL

DRAWN BY:
CGC

DATE DARWN:
1/13/00

FILE:
WST/110.dwg

DATE CHANGED: