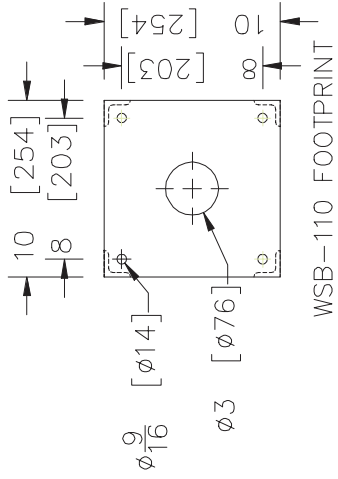
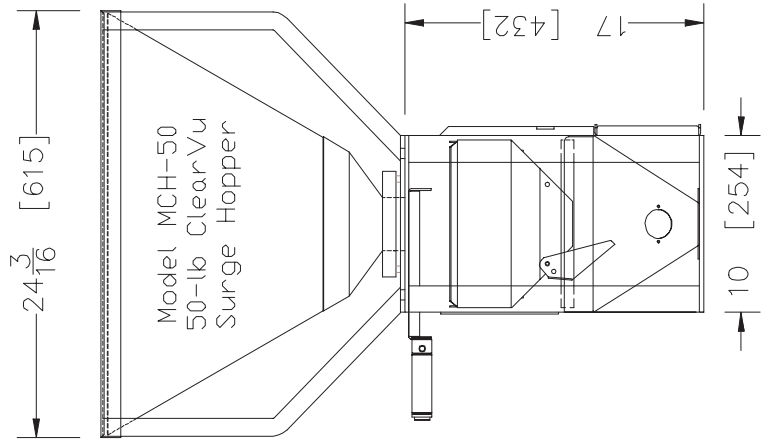


ø10 [ø254]  
Loader pattern  
added to customer  
specifications

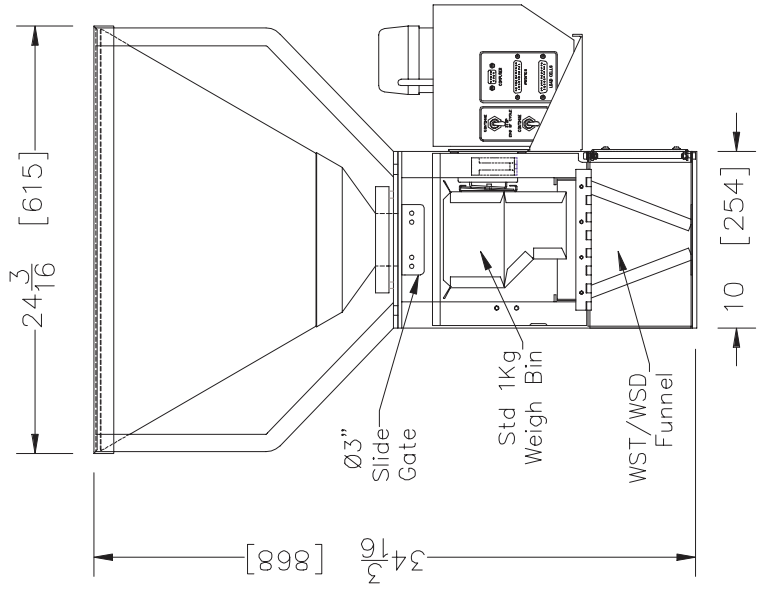


WSB-110 FOOTPRINT

WSB-110 SIDE VIEW



WSB-110 FRONT VIEW



ALL DIMENSIONS ARE  
IN INCHES [MILLIMETERS]



**MAGUIRE**  
PRODUCTS, INC.  
11 Crozerville Road, Aston, PA 19014  
Tel: (888) 459-2412  
Fax: (610) 459-2700  
<http://www.maguire.com>

WSB 110  
PICTORIAL

DRAWN BY:  
CGC

DATE DRAWN:  
1/13/00

FILE:  
WSB/110.dwg

DATE CHANGED: