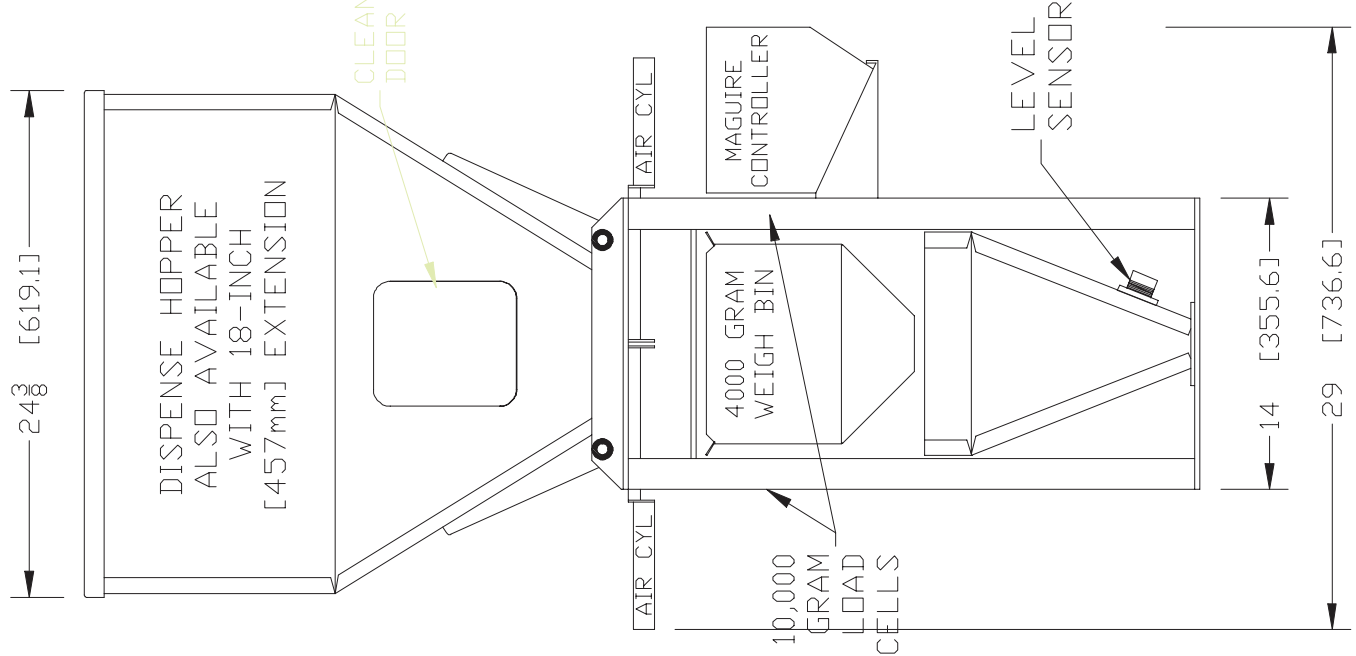
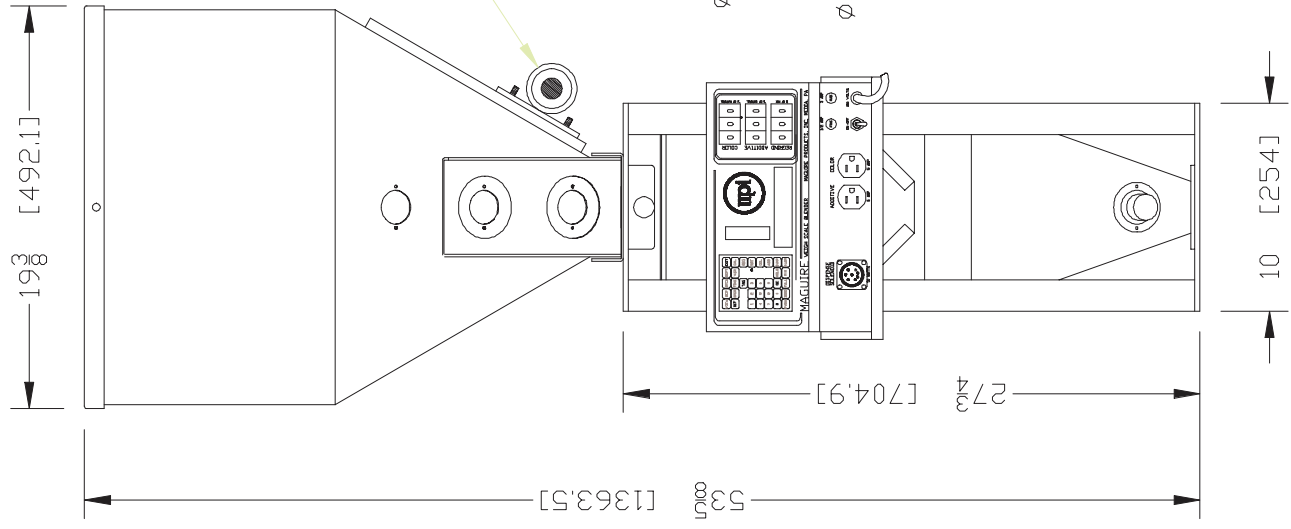


HOPPER CAPACITY IS 4.4 CU. FT. [125 LITRES]

EXTENSION CAPACITY IS 4.5 CU. FT. [128 LITRES]



Maguire Products Inc.
Aston, PA 19014 USA
(610) 459-4300

WST-420
4000 GRAM
TOTALIZER

DRAWN BY:	CGC	DATE:	6/6/96
SHEET 1			OF 1

ALL DIMENSIONS ARE
IN INCHES [MM]