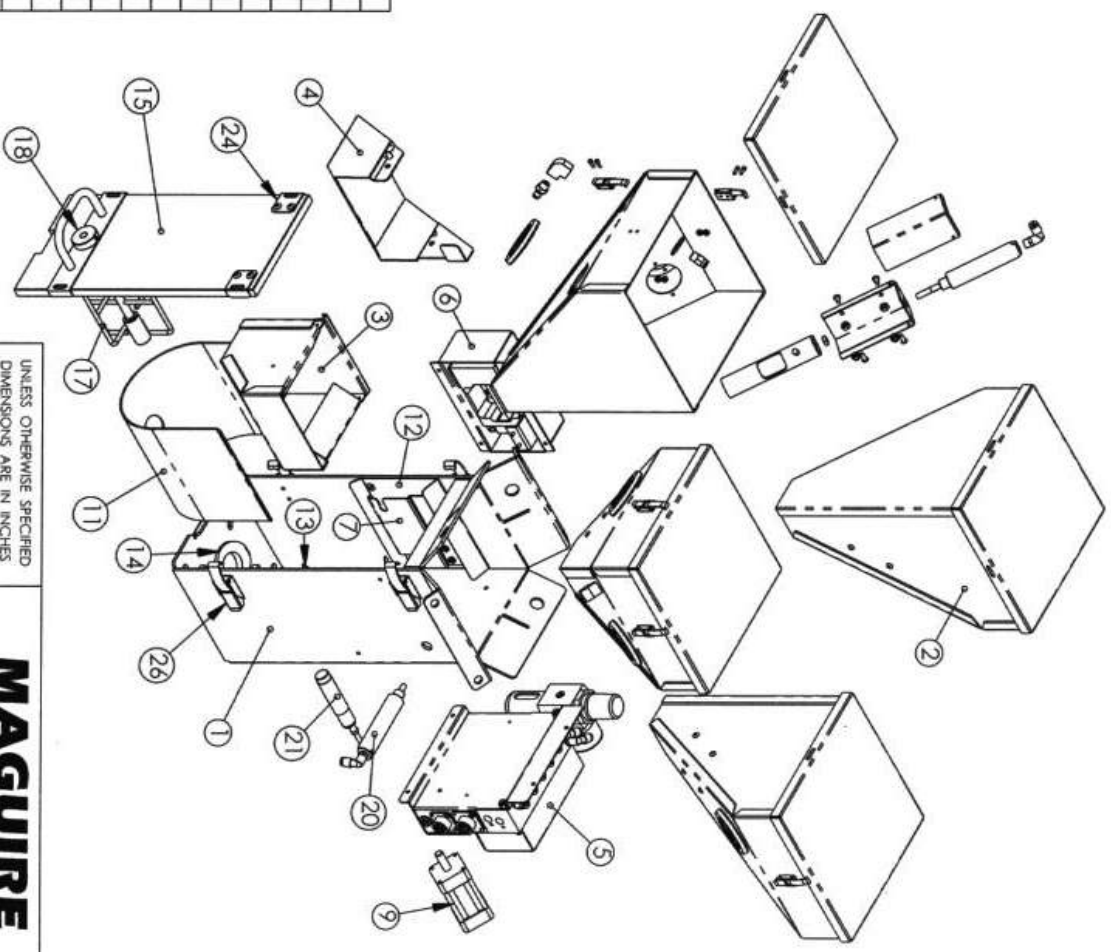
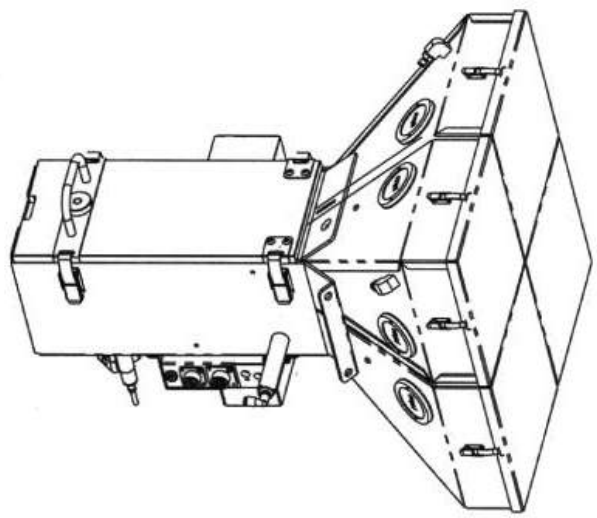


THE INFORMATION CONTAINED IN THIS DRAWING IS THE SOLE PROPERTY OF MAGUIRE PRODUCTS, INC. ANY REPRODUCTION IN PART OR WHOLE WITHOUT THE WRITTEN PERMISSION OF MAGUIRE PRODUCTS, INC. IS PROHIBITED.



ITEM NO.	QTY.	PART NO.	DESCRIPTION
1	1	301	Frame-Microblender
2	4	as305	Hopper Assembly-Microblender
3	1	306	Weigh Bin-Microblender
4	1	307	Dump Flap-Microblender
5	1	as06-MB	Air Assembly-Microblender
6	1	alic-MB	Load Cell Assy-Microblender
7	1	326	Load Cell Slide-Microblender
9	1	ncr-S50	Mix Motor-Microblender
11	1	317	Mix Chamber-Microblender
12	1	319	Pellet Guard-Microblender
13	1	319-R	Pellet Guard, right-Microblender
14	1	318	Saddle-Microblender
15	1	380	Front Window-Microblender
17	1	as325	Mix Blade Assembly
18	1	323	Collar-Microblender Mix Shaft
20	1	ncyl13	Air Cyl-1 1/2 stroke, heavy spring w/ bumper
21	1	asps-03	Level Sensor-18m w/ twist plug
24	2	1886-L	Latch Plate, small-Microblender
26	4	h04	Latch, Southco Series 50 short

UNLESS OTHERWISE SPECIFIED
DIMENSIONS ARE IN INCHES
TOLERANCES ARE:
FRACTIONS DECIMALS ANGLES
±1/32 .XX±.02 ±.1
XXX±.010

MAGUIRE
Microblender
Isometric Exploded View

REV	ECN	DATE	DO NOT SCALE DRAWING
-	-	-	-
-	-	-	-

SHEET DIMS: NO.	EXPL-MB	NAME 1 OF 1
A		SHEET SHEET1
The Name: WSG-MB Xplode		SCALE 1:8