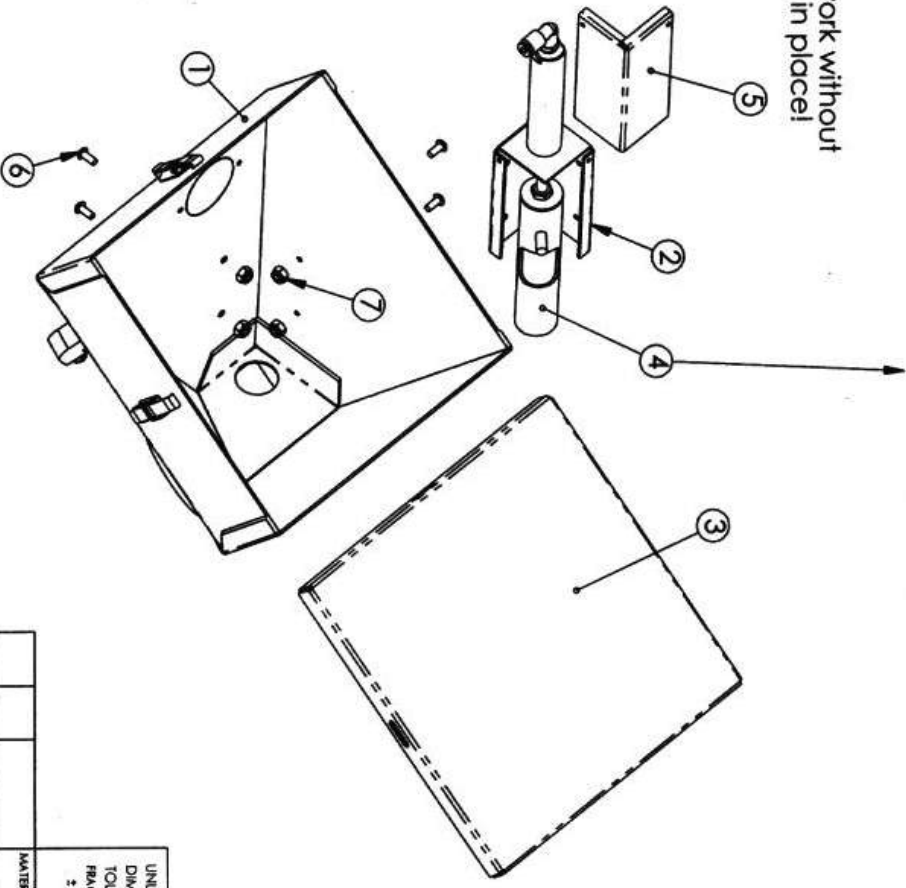


THE INFORMATION CONTAINED IN THIS DRAWING IS THE SOLE PROPERTY OF MAAGUIRE PRODUCTS, INC. ANY REPRODUCTION IN PART OR WHOLE WITHOUT THE WRITTEN PERMISSION OF MAAGUIRE PRODUCTS, INC. IS PROHIBITED.

Locating pin allows for a standard air cylinder (better valve actuation than non-rotating cylinder)

Radius in Valve slot greatly improves strength and durability.

NOTE:
Valve will not work without Cover properly in place!



ITEM NO.	QTY.	PART NO.
1	1	Hopper, weldment
2	1	Vertical Valve Holder
3	1	Lid-WSB-MB Hopper
4	1	Vertical Valve
5	1	Vertical Valve Cover
6	4	bhcs-#8-32 (US) or 4mm (Int'l)
7	4	nylok-#8 (US) or 4mm (Int'l)

RETROFIT NOTE:
Hoppers fitted with the older Vertical Valve Holder (no removable cover) may require drilling to $\phi 11/64$ or 4mm in order to mount new Holder with supplied bolts and nylok nuts.

UNLESS OTHERWISE SPECIFIED
DIMENSIONS ARE IN INCHES
TOLERANCES ARE:
FRACTIONS DECIMALS ANGLES
 $\pm 1/32$ $\pm .02$ ± 1
XXX ± .010

Maguire Products, Inc.
Vertical Valve
MicroBlender

REV	ECN	DATE	DO NOT SCALE DRAWING	FINISH	MATERIAL
-	-	-	-	-	-

SIZE	DWG. NO.	REV.
A	339 & 339-C	-
SCALE 1:4	CAO FILE Vert Valve yspc00	SHEET - OF -