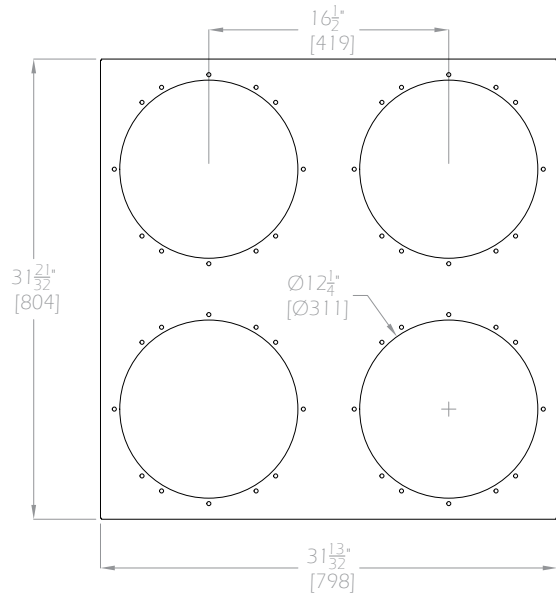
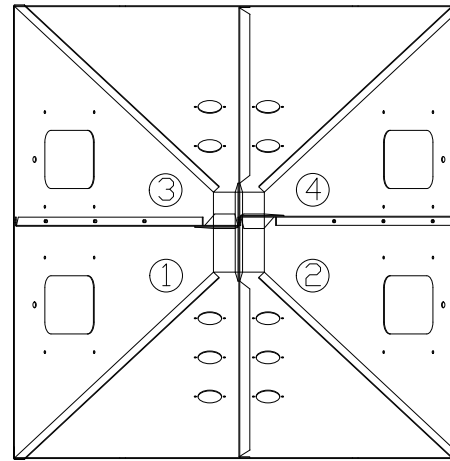


WXB-140 LID TOP VIEW



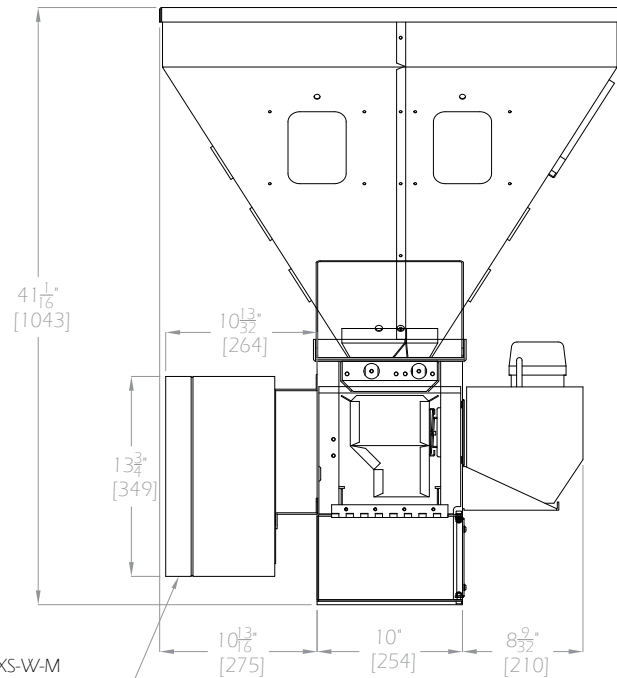
WXB-140 HOPPER TOP VIEW

Mix Motor Side



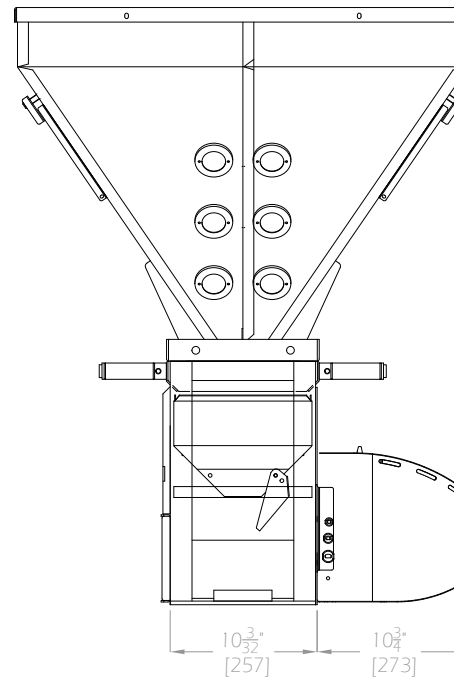
Compartments - 1.2 cu ft [34 Litres]

WXB-140 FRONT VIEW

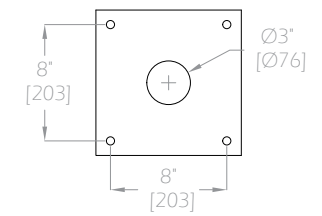


OPXS-W-M
Maguire+Syncro
Extrusion Control
for WSB/WXB
(Power Box)

WXB-140 SIDE VIEW



WXB-140 Footprint



STD WSB Bottom Plate
1/4" [6.4] Steel Plate

THIS DRAWING IS THE PROPERTY
OF MAGUIRE PRODUCTS INC. AND
MUST BE RETURNED ON REQUEST.
IT MUST NOT BE COPIED OR
PASSED TO A THIRD PARTY.
DRAWING IS NOT TO SCALE.

TITLE		WXB-140	
DRAWN	FF	DATE	17/02/2019

MAGUIRE[®]
Intelligent Simplicity