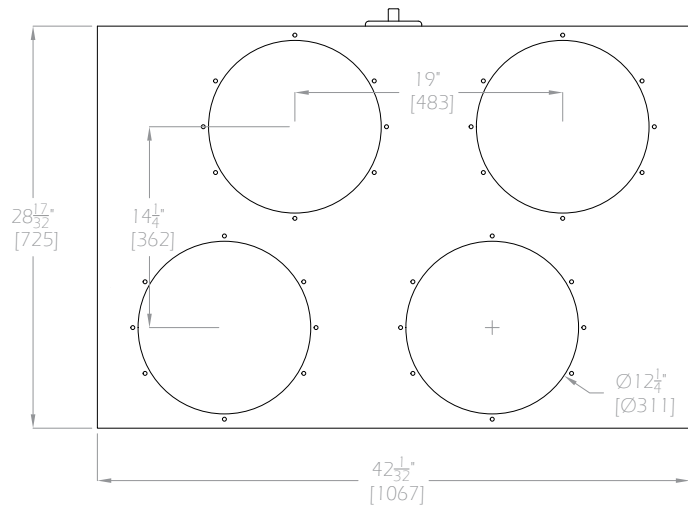
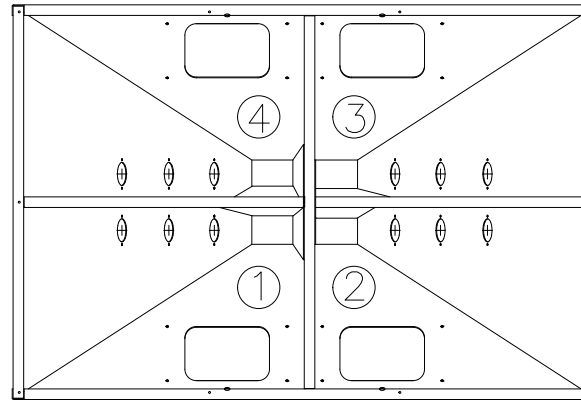


WXB-240 LID TOP VIEW

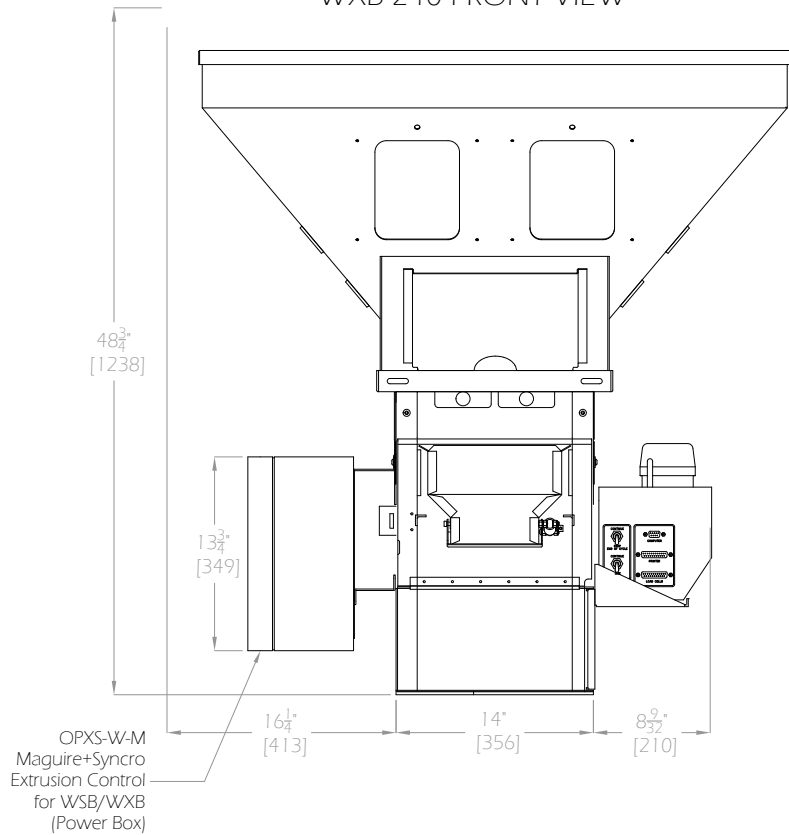


WXB-240 HOPPER TOP VIEW

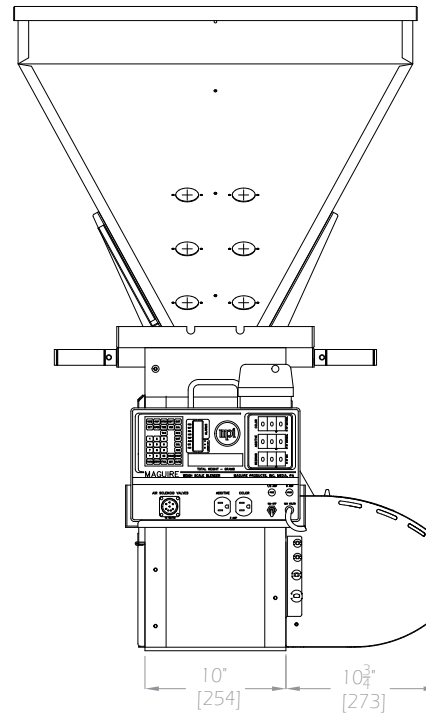
Mix Motor Side



WXB-240 FRONT VIEW

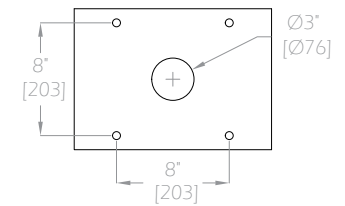


WXB-240 SIDE VIEW



Compartments - 1.2 cu ft [34 Litres]

WXB-240 Footprint



STD WSB Bottom Plate
1/4" [6.4] Steel Plate

THIS DRAWING IS THE PROPERTY OF MAGUIRE PRODUCTS INC. AND MUST BE RETURNED ON REQUEST. IT MUST NOT BE COPIED OR PASSED TO A THIRD PARTY. DRAWING IS NOT TO SCALE.

TITLE	
WXB-240	
DRAWN	DATE
FF	17/02/2019

MAGUIRE[®]
Intelligent Simplicity