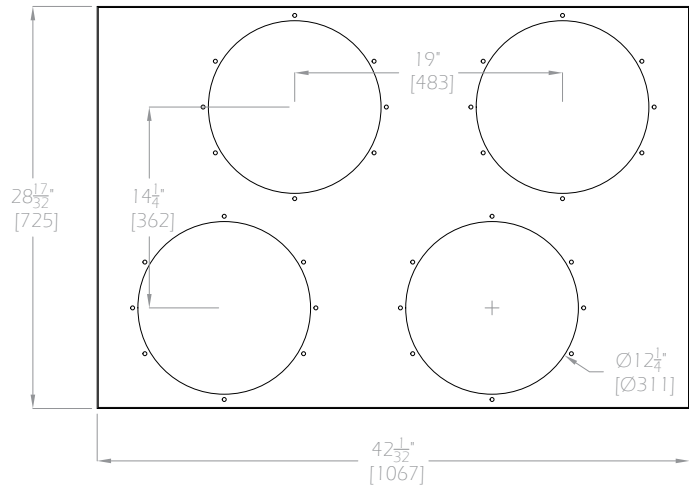
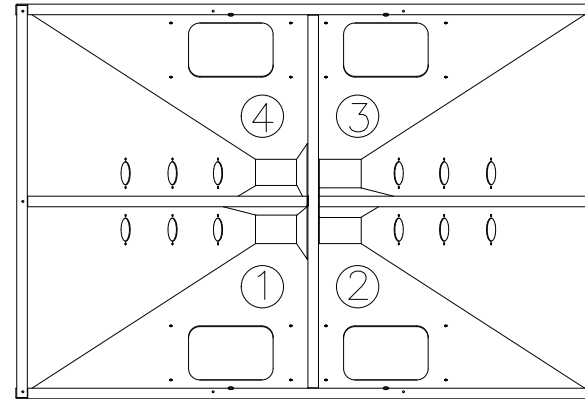


WXB-440 LID TOP VIEW

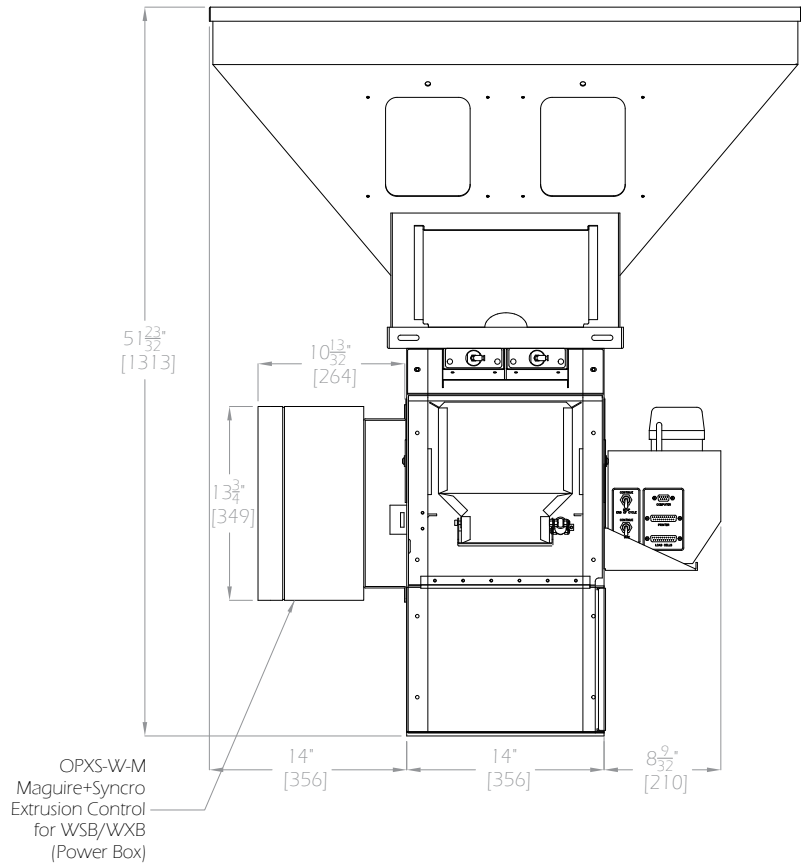


WXB-440 HOPPER TOP VIEW

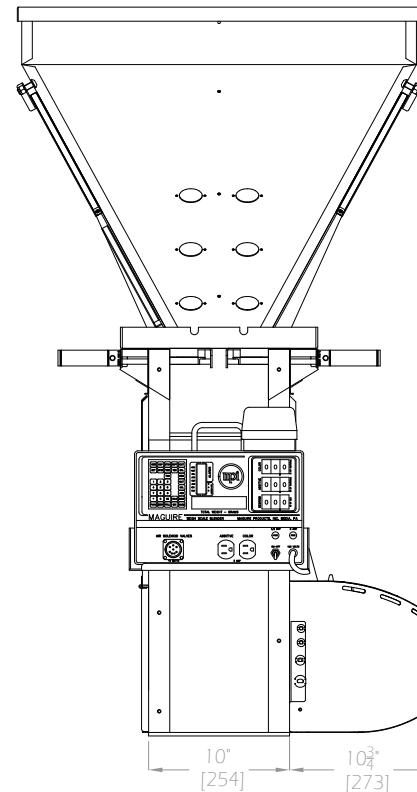
Mix Motor Side



WXB-440 FRONT VIEW

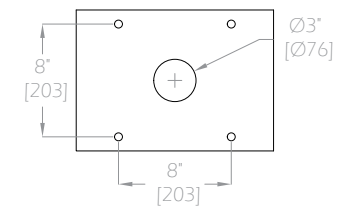


WXB-440 SIDE VIEW



Compartments - 1.2 cu ft [34 Litres]

WXB-440 Footprint



STD WXB Bottom Plate
1/4" [6.4] Steel Plate

THIS DRAWING IS THE PROPERTY OF MAGUIRE PRODUCTS INC. AND MUST BE RETURNED ON REQUEST. IT MUST NOT BE COPIED OR PASSED TO A THIRD PARTY. DRAWING IS NOT TO SCALE.

TITLE		WXB-440	
DRAWN	FF	DATE	17/02/2019

MAGUIRE
Intelligent Simplicity