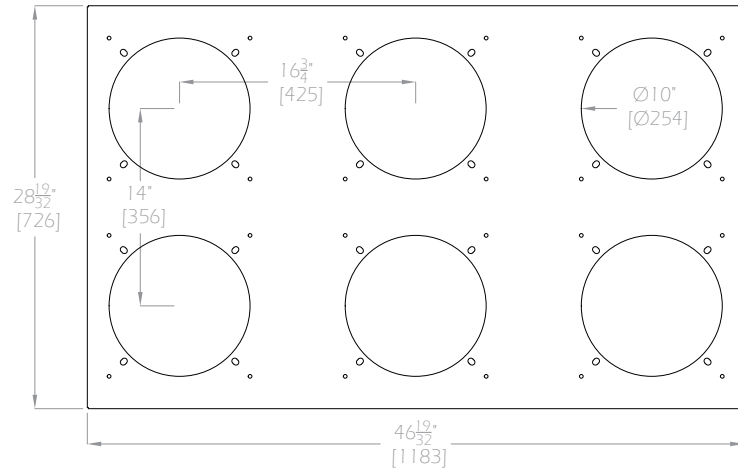
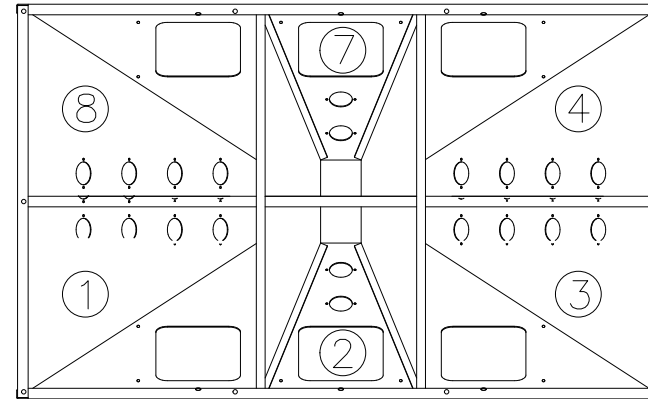


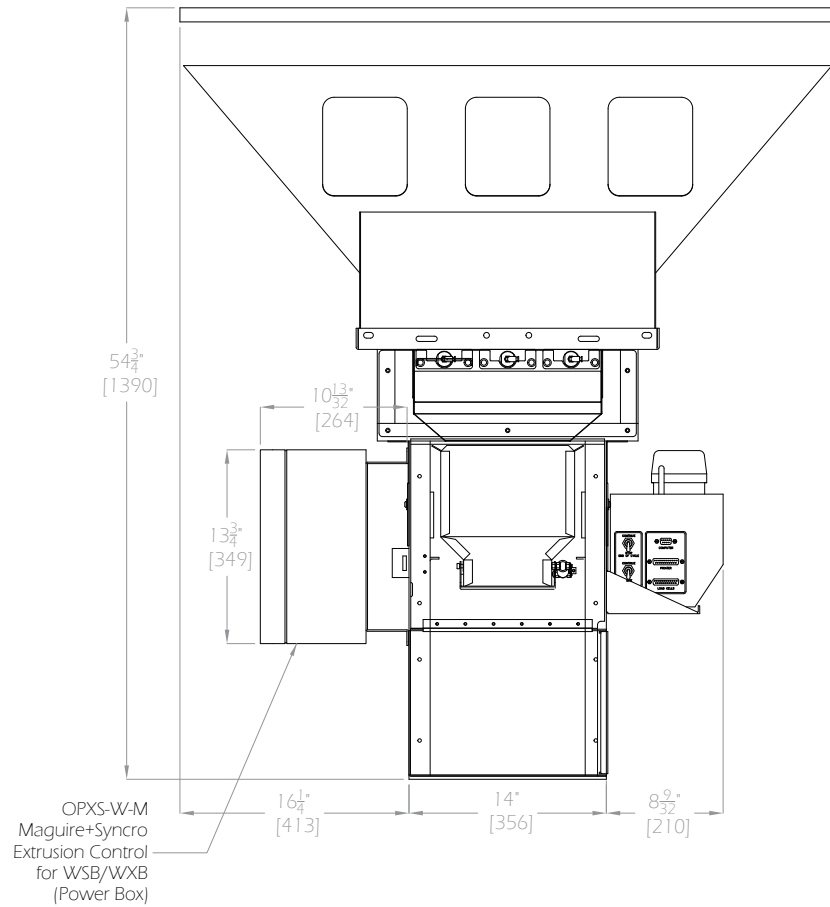
WXB-460 LID TOP VIEW



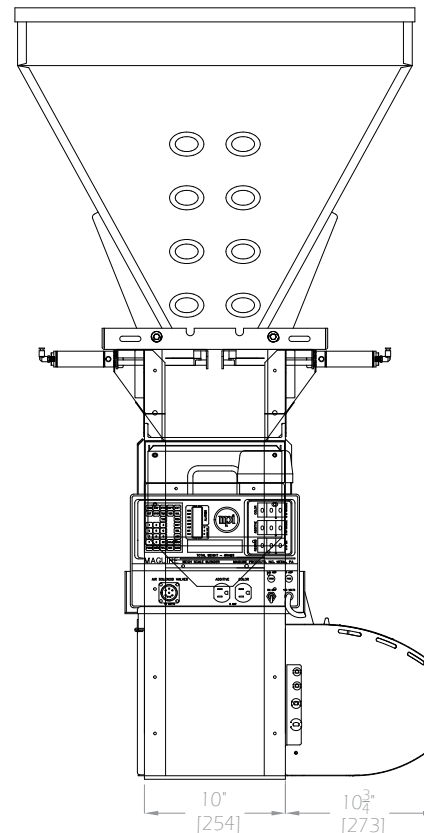
WXB-460 HOPPER TOP VIEW



WXB-460 FRONT VIEW

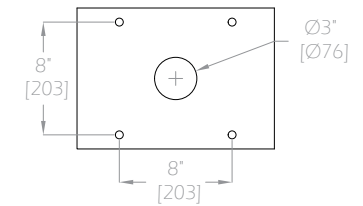


WXB-460 SIDE VIEW



Compartments 1,3,4,8 - 1.5 cu ft [42 Litres]  
 Compartments 2 & 7 - 1 cu ft [28 Litres]

WXB-460 Footprint



STD WXB Bottom Plate  
 1/4" [6.4] Steel Plate

THIS DRAWING IS THE PROPERTY  
 OF MAGUIRE PRODUCTS INC. AND  
 MUST BE RETURNED ON REQUEST  
 IT MUST NOT BE COPIED OR  
 PASSED TO A THIRD PARTY.  
 DRAWING IS NOT TO SCALE.

TITLE		WXB-460	
DRAWN	FF	DATE	17/02/2019

**MAGUIRE**<sup>®</sup>  
 Intelligent Simplicity