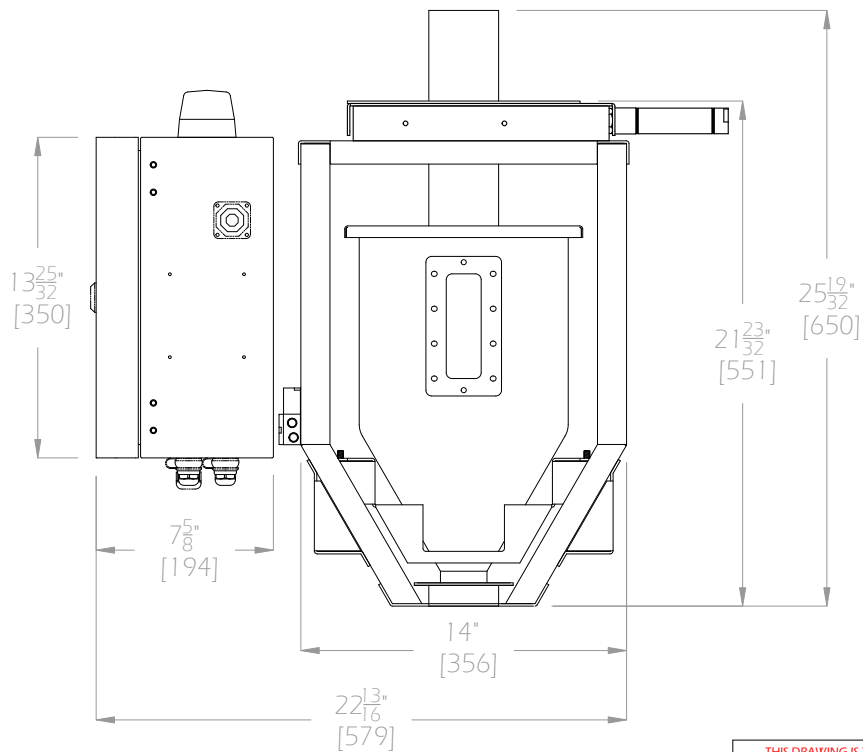
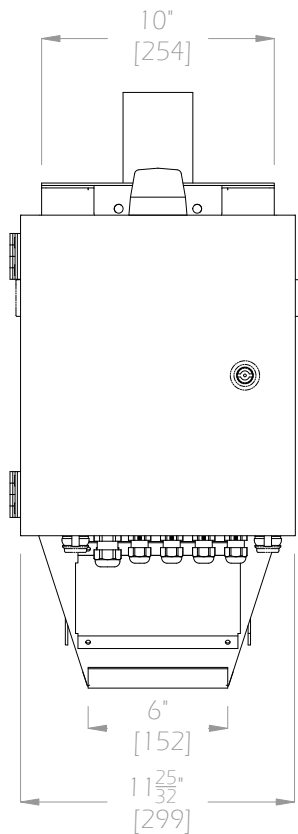
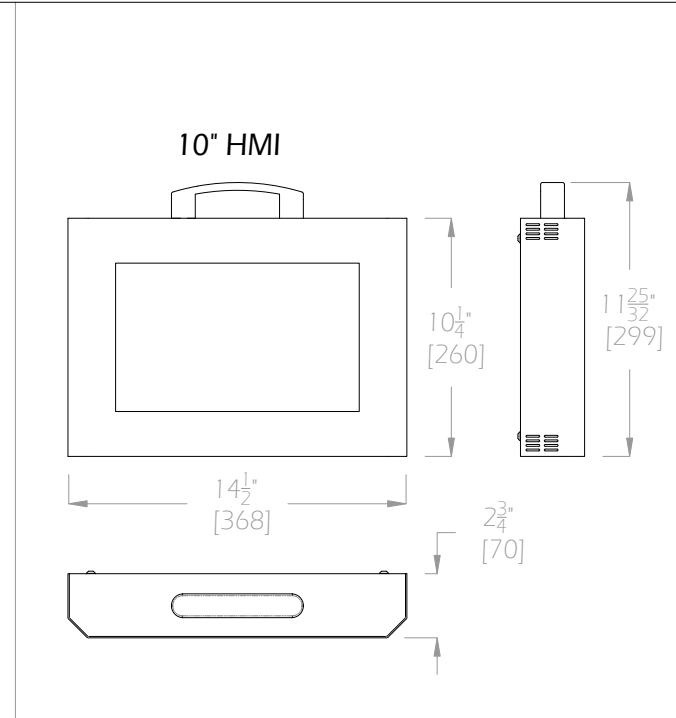
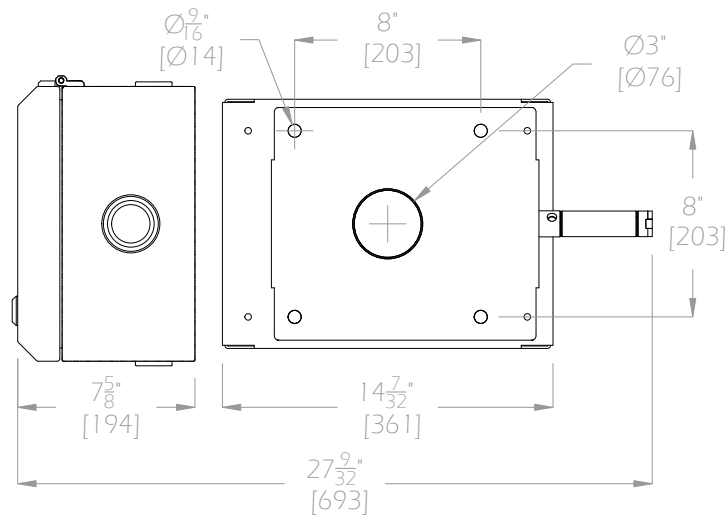
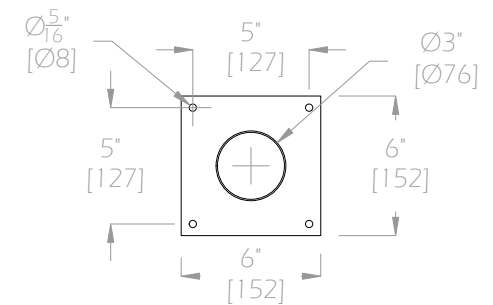


LIW-05 + OPXS-LIW-M
or OPXS-LIW-S
("M" includes HMI)



LIW-05 Footprint



THIS DRAWING IS THE PROPERTY OF MAGUIRE PRODUCTS INC. AND MUST BE RETURNED ON REQUEST. IT MUST NOT BE COPIED OR PASSED TO A THIRD PARTY. DRAWING IS NOT TO SCALE.

TITLE	LIW-05	
DRAWN	FF	DATE 16/04/2020

