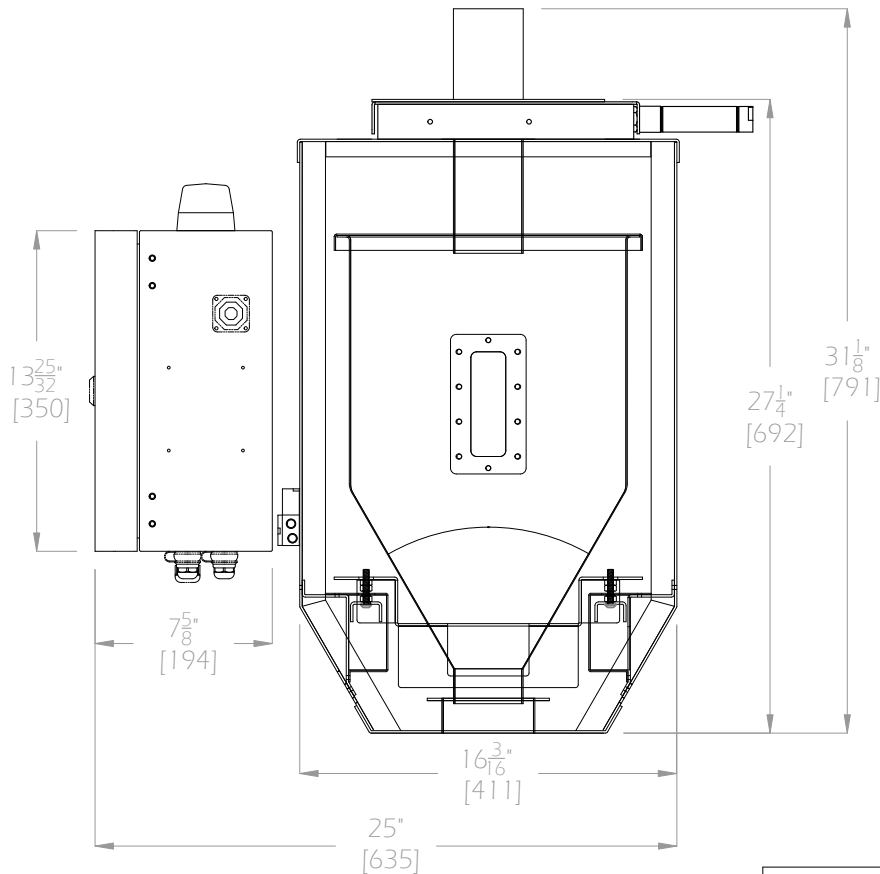
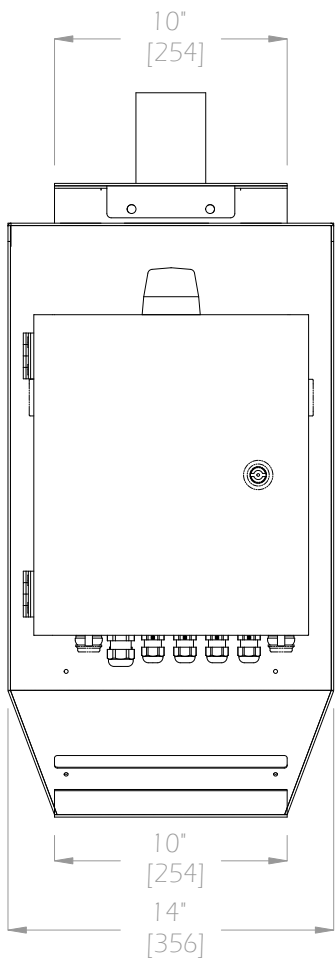
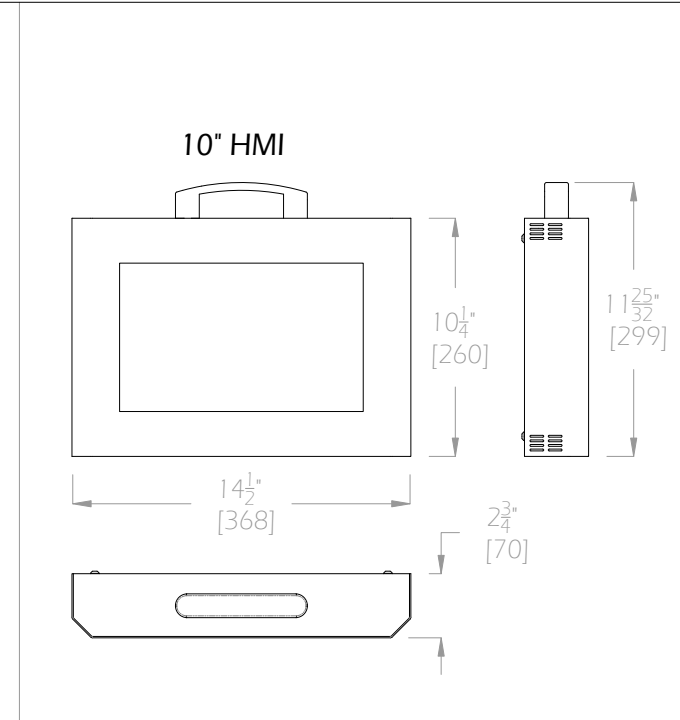
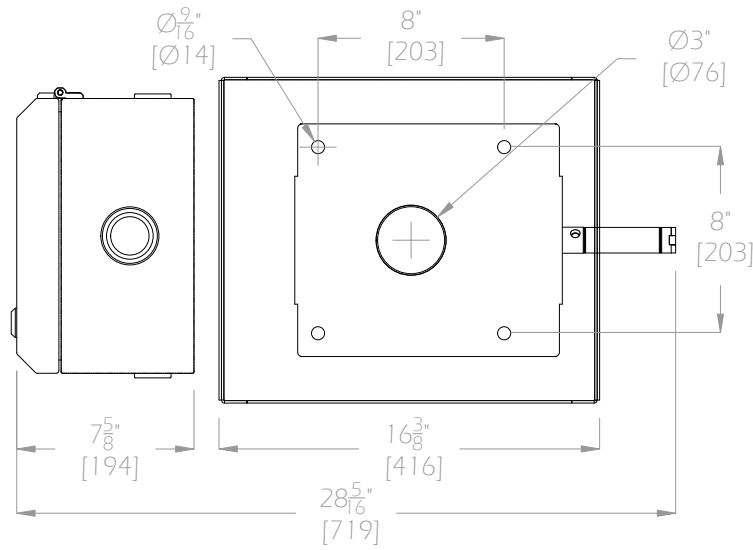
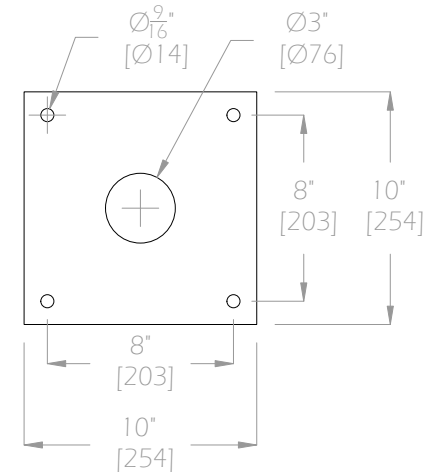


LIW-10 + OPXS-LIW-M
or OPXS-LIW-S
("M" includes HMI)



LIW-10 Footprint



THIS DRAWING IS THE PROPERTY OF MAGUIRE PRODUCTS INC. AND MUST BE RETURNED ON REQUEST. IT MUST NOT BE COPIED OR PASSED TO A THIRD PARTY. DRAWING IS NOT TO SCALE.

TITLE		LIW-10
DRAWN	FF	DATE 16/04/2020

MAGUIRE[®]
Intelligent Simplicity