



GHR-10 & GHR-20 Glass-Vu Hybrid Vacuum Receivers

Easy to clean and lightweight design

The Maguire GHR vacuum receivers incorporates a hinged lid for easy cleaning and patented filter cleaning to ensure less maintenance intervention.



System compatibility

The Maguire GHR receiver integrates with the existing range of Maguire conveying equipment, such as our Maguire MLS Loading System and our FlexBus conveying system, but can readily integrate with a third party option. This allows the user to benefit from the latest controls that utilizes the equipment and expand your conveying as required.

Hinged lid

Our Maguire GHR has a hinged lid incorporated into the design for easy filter access and cleaning as required.

Clear loading body

The clear glass centre section allows for full view of filling action and easy setup and monitoring of material changes.

Voltage options

The Maguire GHR receivers comes in 24DC as the standard control signal but are available in 24AC, 115 VAC and 230 VAC to meet your conveying requirements.

Patented filter cleaning

The patented filter cleaning blow-back completely clears the filter and can be set to occur at the end of every load to avoid fines from collecting on the filter.

Fast action slide gate

The receivers feature a patent pending, fast action slide gate that prevents pellet entrapment during material discharge. The discharge slide gate does not invade the hopper that is being filled, which eliminates clogging and frequent loss of vacuum common with models using "dump flap" discharge.



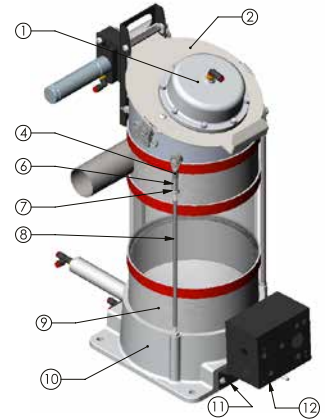
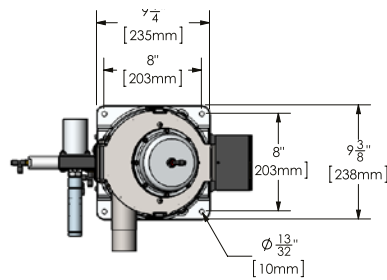
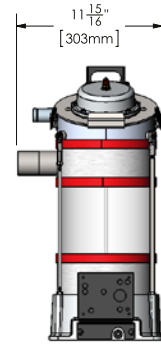
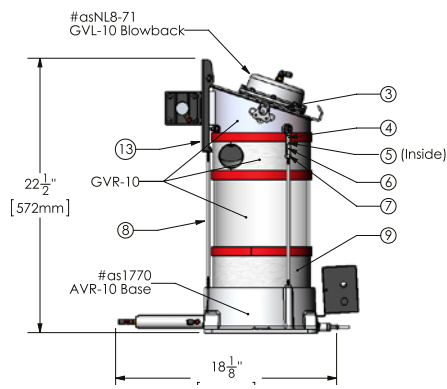
Choice of receivers

The Maguire GHR Receivers are available in both 10lbs (4.5kg) and 20lbs (9kg) sizes and are ideally suited for loading a wide range of granular free flowing materials, conveying to Blenders, Feeders, Drying hoppers and Machine hoppers.

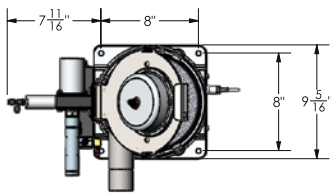


GHR-10 Hybrid Receiver

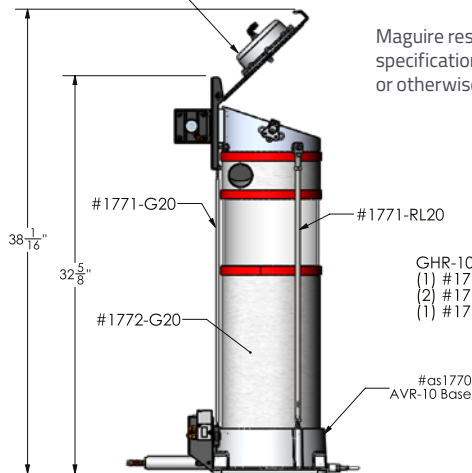
Item No.	Part Number	Description	Qty.
1	asNL8-71	New GVL Blowback Assy	1
2	NL8-01 Rev F	Lid, GVR with Blowback Holes	1
3	NL8-01S	Spacer, Blowback	1
4	91705A500	Eye Nut, 1/4-20 (McM-Carr)	2
5	95475A542	1/4-20 x 1" Stud	2
6	90264A435	Coupling Nut, 1/4-20 (McM)	2
7	sn4	Hex Nut, 1/4-20	4
8	1771-R	Connecting Rod, AVR-10	3
9	NR8-03AG	AVR-GVR Spacer	1
10	as1770	Base Assy, AVR	1
11	1451	Base & Back, GHR Controller	1
12	1450-P	Controller Panel, GHR-10	1
13	NR8-06 OLD	Bracket, Lid, Pivot, NovaLoader	1



GHR-20 Hybrid Receiver



OPTIONAL
#asNL8-71
GVL-10 Blowback



GHR Receivers

10, 20 lb capacities (4.5 and 9kg)

MODEL	lb	kg	A		B		C	
			in.	cm	in.	cm	in.	cm
GHR-10	10	4.5	9.375	23.8	21.7	55	18.125	46
GHR-20	20	9	9.375	23.8	35.8	91	18.125	46

Maguire reserves the right to cancel product or change product, product specifications and data without notice to improve reliability, function, design or otherwise.

GHR-10 to -20 adds:
(1) #1771-G20
(2) #1771-RL20 (was GHR-22)
(1) #1772-G20 (was GHR-21)

MAGUIRE WORLDWIDE DISTRIBUTION LOCATIONS

Maguire USA

Aston, PA, USA
T: +1 610 459 4300
F: +1 610 459 2700
E: info@maguire.com

Maguire Canada

Ontario, Canada
T: +1 905 879 1100
F: +1 905 879 1101
E: info@maguirecanada.com

Maguire Europe

Staffordshire, UK
T: +44 1827 338 280
F: +44 1827 338 285
E: info@maguire-europe.com

Maguire IMEA

Dubai, UAE
T: +971 4 881 6700
E: info@maguire-imea.com

Maguire Asia

Singapore
T: +65 6848 7117
F: +65 6542 8577
E: magasia@maguire-products.com.sg

Maguire China

Shanghai
T: +86 21 5882 3410
F: +86 21 5882 3420
E: amber@maguirechina.com

