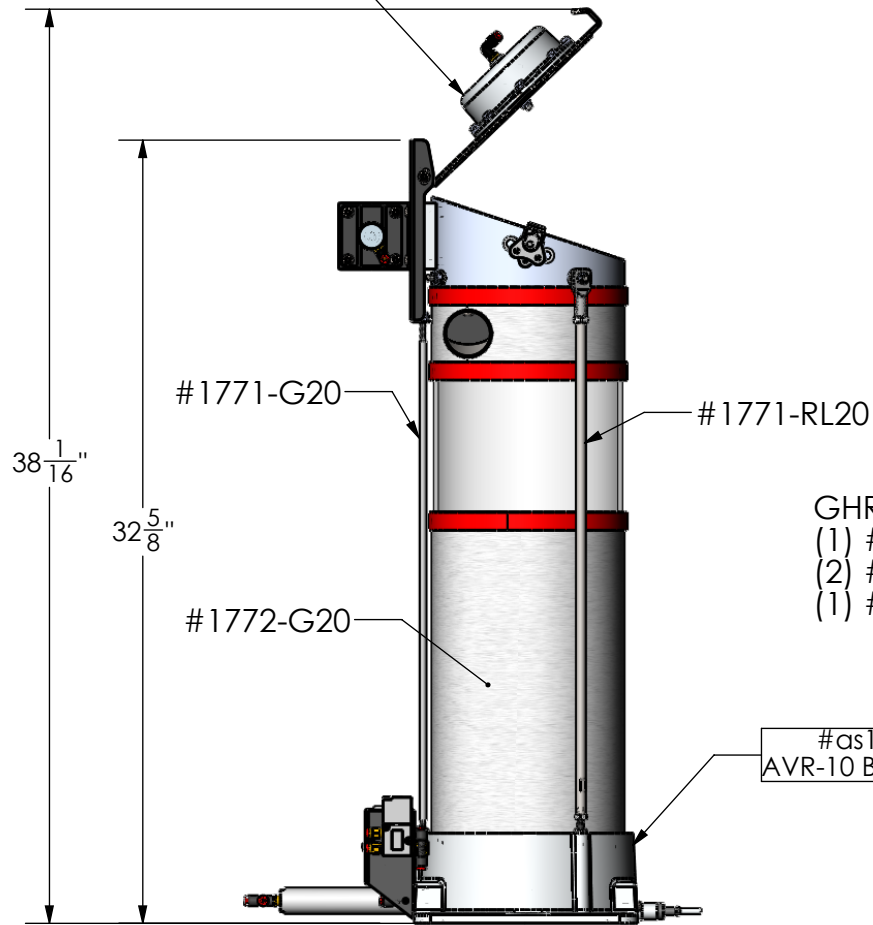
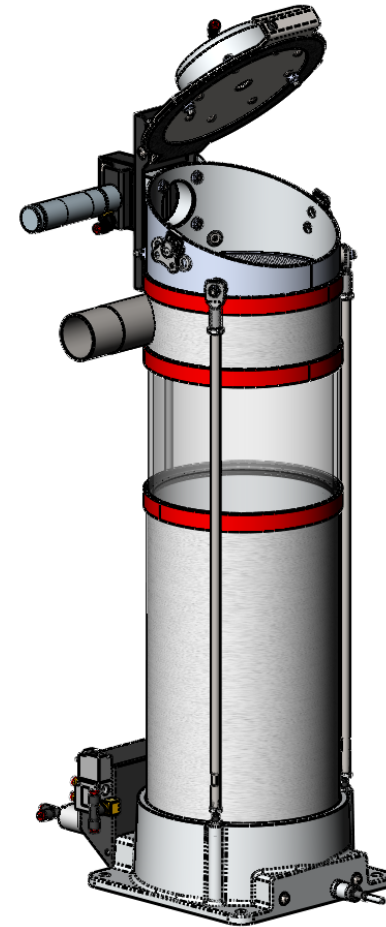


OPTIONAL
#asNL8-71
GVL-10 Blowback



GHR-10 to -20 adds:
 (1) #1771-G20
 (2) #1771-RL20 (was GHR-22)
 (1) #1772-G20 (was GHR-21)

#as1770
AVR-10 Base

BUILT TO DATA PART TO BE FABRICATED TO PART#.SLDPRT ADDITIONAL TOLERANCES AND REQUIREMENTS ARE DEFINED IN DRAWING	UNLESS OTHERWISE SPECIFIED DIMENSIONS ARE IN INCHES TOLERANCES ARE: FRACTIONS DECIMALS ANGLES $\pm 1/64$.XX $\pm .02$ $\pm 1^\circ$.XXX $\pm .010$			MAGUIRE	
	ANY FLAT BLANK SHOWN IS SUPPLIED FOR REFERENCE ONLY. DEVELOPMENT RESPONSIBILITY RESTS WITH THE FABRICATOR.			GHR-20 Hybrid Receiver	
THE INFORMATION CONTAINED IN THIS DRAWING IS THE SOLE PROPERTY OF MAGUIRE PRODUCTS, INC.	BREAK ALL SHARP EDGES AND CORNERS MATERIAL			Created: Monday, July 30, 2012 1:39:01 PM	
	PAINT / FINISH Black Drawn By: JSH Last Saved By: Administrator			Last Save: Wednesday, January 16, 2013 4:21:30 PM	
Folder: C:\MPI-JH_Projects\AVR-GVR Hybrid\			SIZE A	DWG. NO./ CAD FILE:	SHEET 1 OF 1 NAME Sheet1 SCALE 1:8