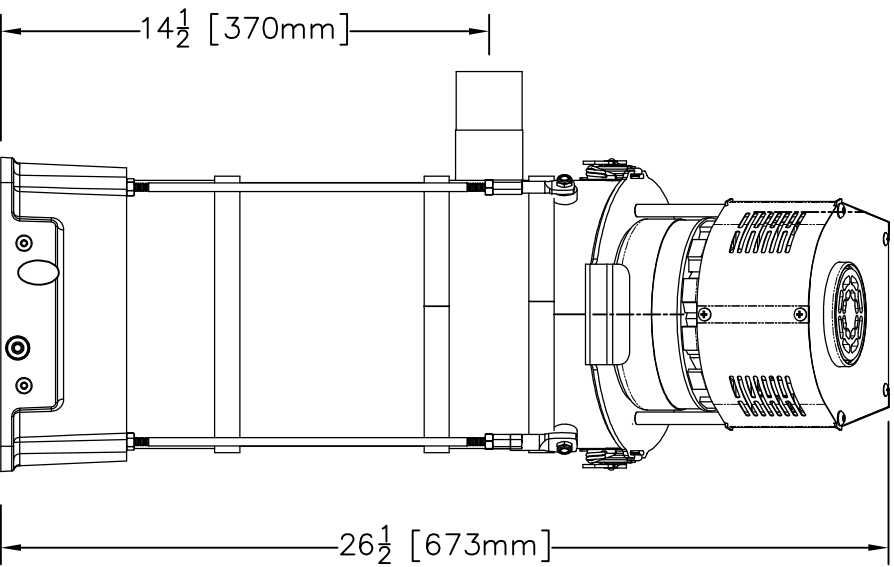
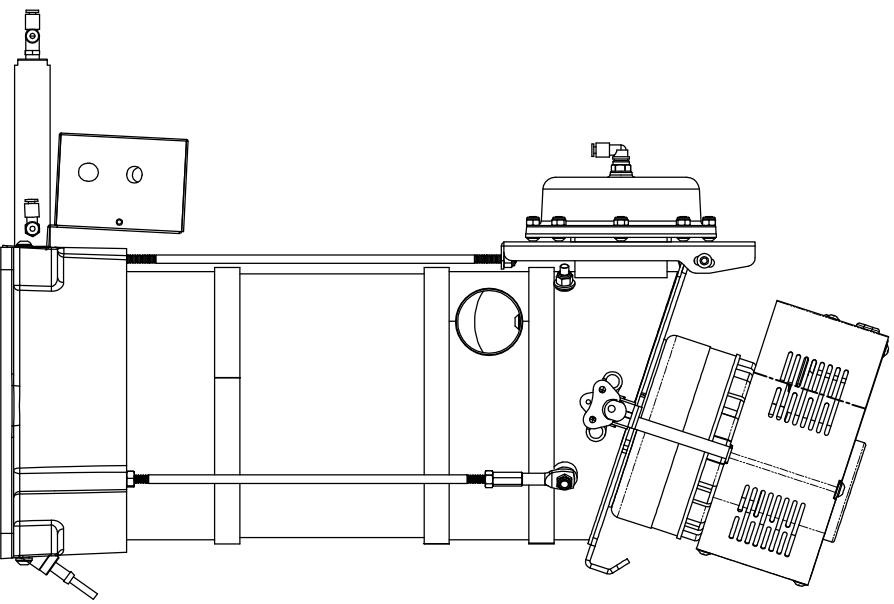


GHL-10 Mounting Pattern



**MAGUIRE
PRODUCTS, INC.**
11 Crozerille Road, Aston, PA 19014
Tel: (888) 459-2412
Fax: (610) 459-2700
http://www.maguire.com

Part # **GHL-10** Equipment: **GHL**

Description: **GlassVu Hybrid Loader, 10 lb**

Material: **-** Drawn by: **CGC** Created: **8/12/20**

Paint/Finish: **-** Scale: **-** Last Save: **-**

REV	ECN	DATE
-	-	-
-	-	-