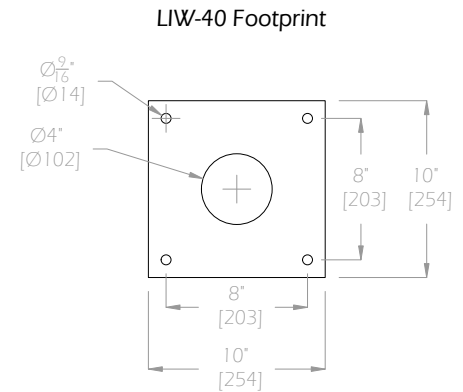
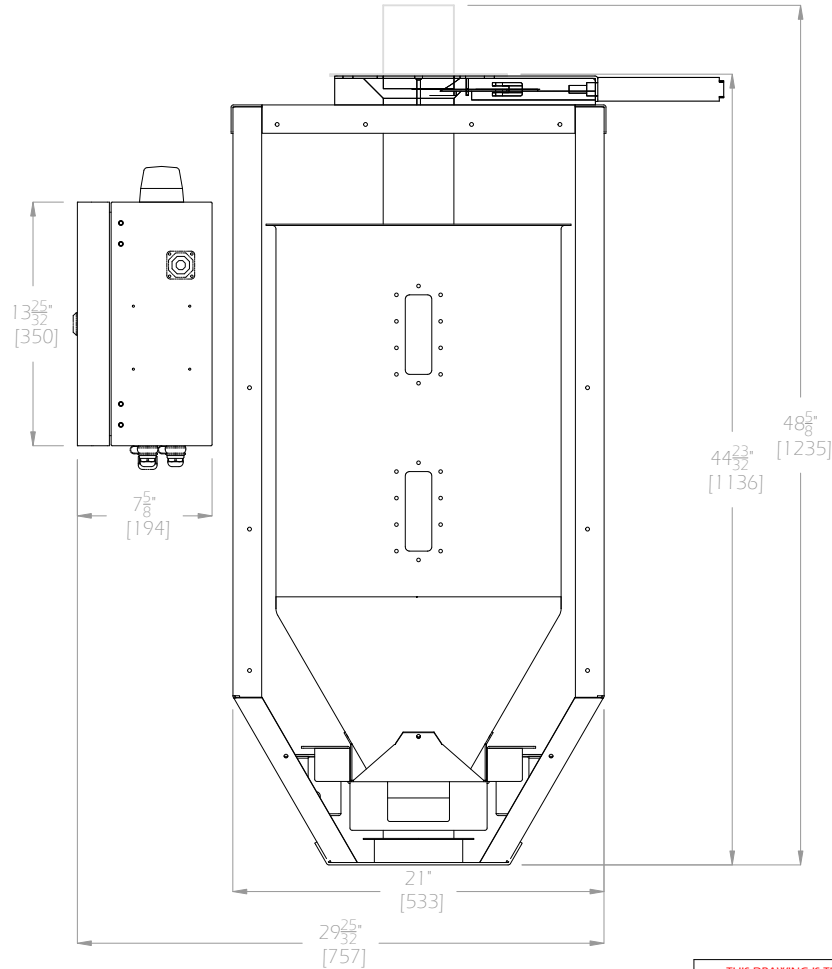
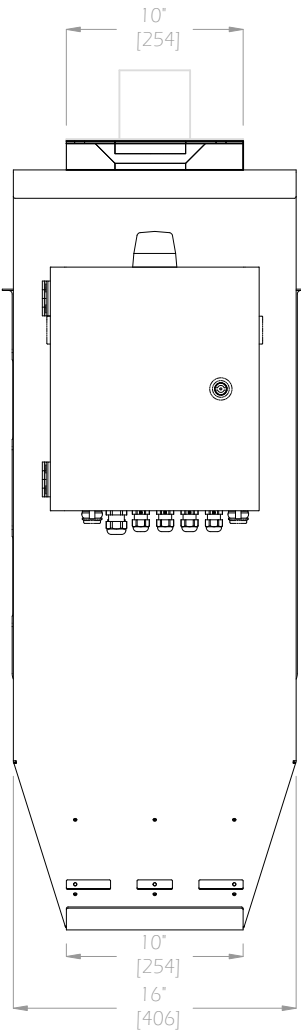
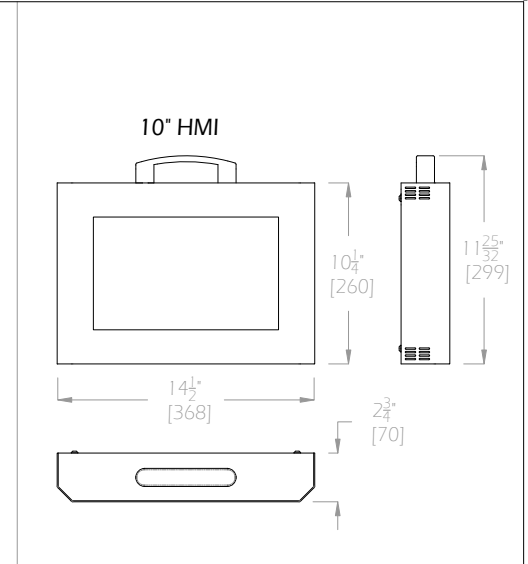
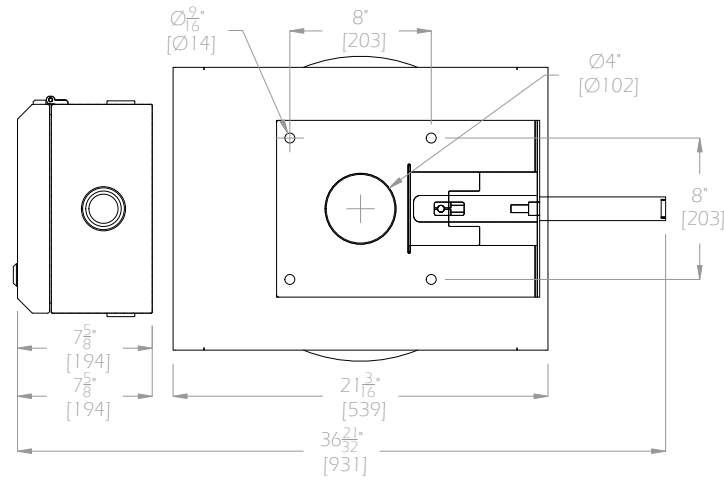


LIW-40 + OPXS-LIW-M
or OPXS-LIW-S

("M" includes HMI)



THIS DRAWING IS THE PROPERTY
OF MAGUIRE PRODUCTS INC. AND
MUST BE RETURNED ON REQUEST
IT MUST NOT BE COPIED OR
PASSED TO A THIRD PARTY.
DRAWING IS NOT TO SCALE.

TITLE		
LIW-40		
DRAWN	FF	DATE
		16/04/2020

MAGUIRE[®]
Intelligent Simplicity